

**Description:** Pre-fabricated modular metallic tiles.  
 Dimensions in stock: 4x4, 8x8, 12x12, 12x24 and 24x24

**Use:** Modulation of tiles and or finishes giving free-rein to achieve a personalized creation.

**Finish Options:** Aluminium 0.8mm, alloy 5754H42, D-Max Kynar 500 70% with pre-painted finish, such as Duranar XL, 6 colours in inventory: Black RAL9005, White RAL9016, Jupiter RAL9006, Rigel-2, Neptune and Charcoal. Available in natural or textured zinc as well.



www.PanfabDesignUsa.com  
 1-844-433-9446

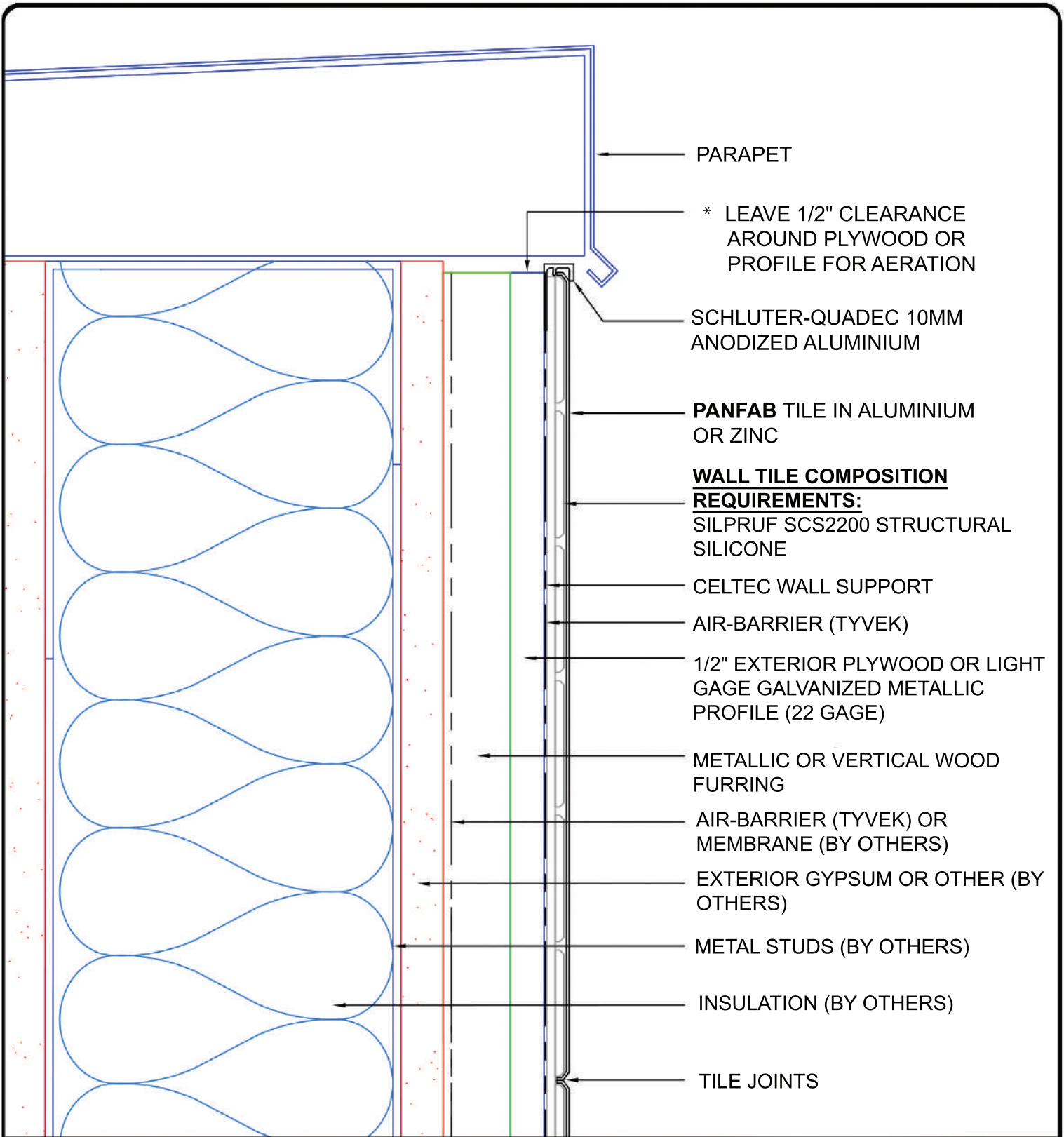
**Project:**  
 PR-150 PANFAB TILES COVERING

**Title:**  
 ISOMETRIC VIEW

**Scale:**  
 1 : 60

**Date:**  
 APRIL 2015

**Page:**  
 150200



www.PanfabDesignUsa.com  
1-844-433-9446

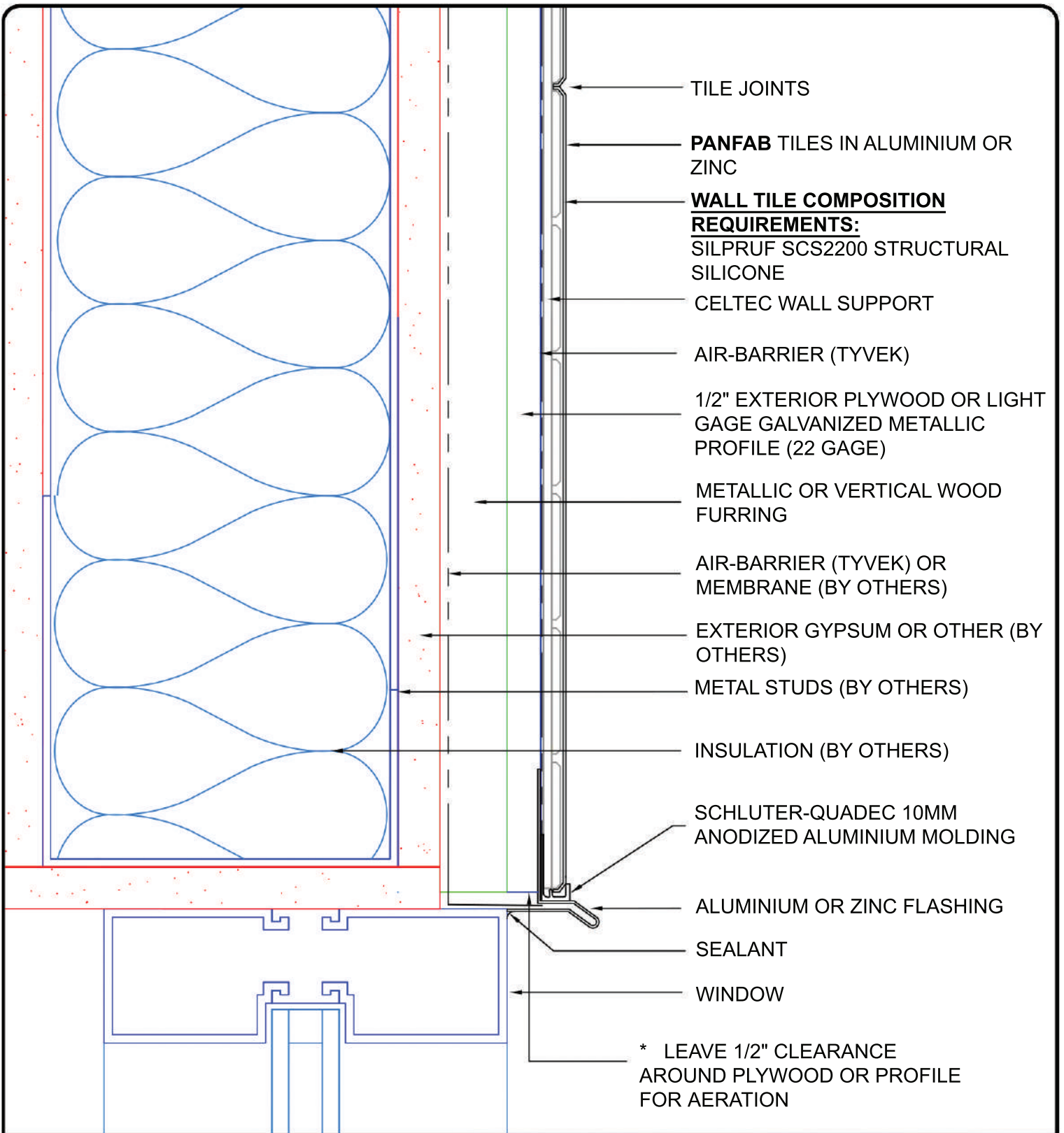
Project: TYPICAL EXTERIOR INSTALLATION

Title: SECTIONAL VIEW – PARAPET

Scale: 1:2

Page: 150250

Date: APRIL 2015



www.PanfabDesignUsa.com  
1-844-433-9446

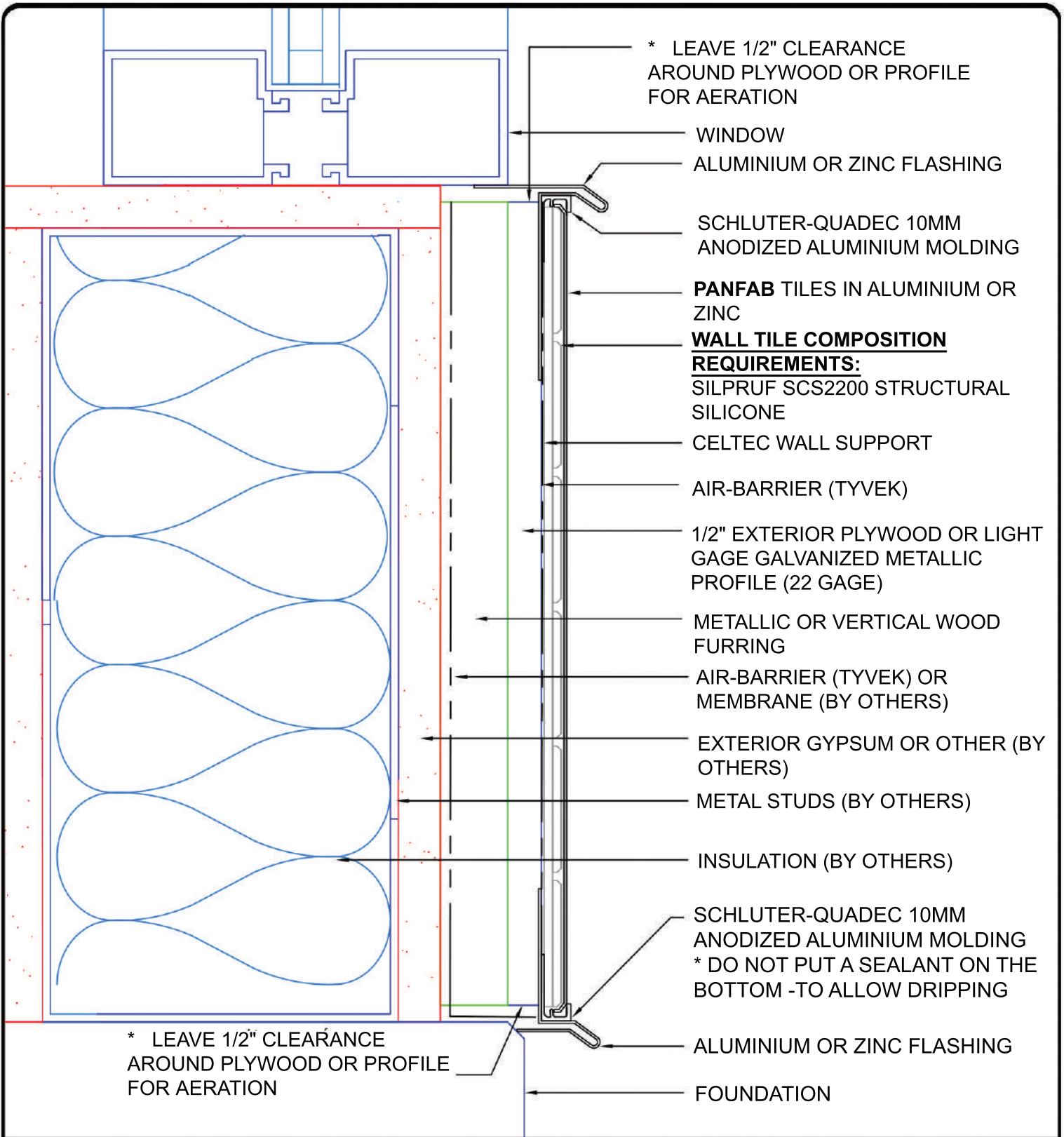
**Project:**  
TYPICAL EXTERIOR INSTALLATION

**Title:**  
SECTIONAL VIEW – DETAIL – WINDOW TOP

**Scale:**  
1:2

**Date:**  
APRIL 2015

**Page:**  
150240



www.PanfabDesignUsa.com

1-844-433-9446

Project:

TYPICAL EXTERIOR INSTALLATION

Title:

SECTIONAL VIEW – WINDOW AND FOUNDATION

Scale:

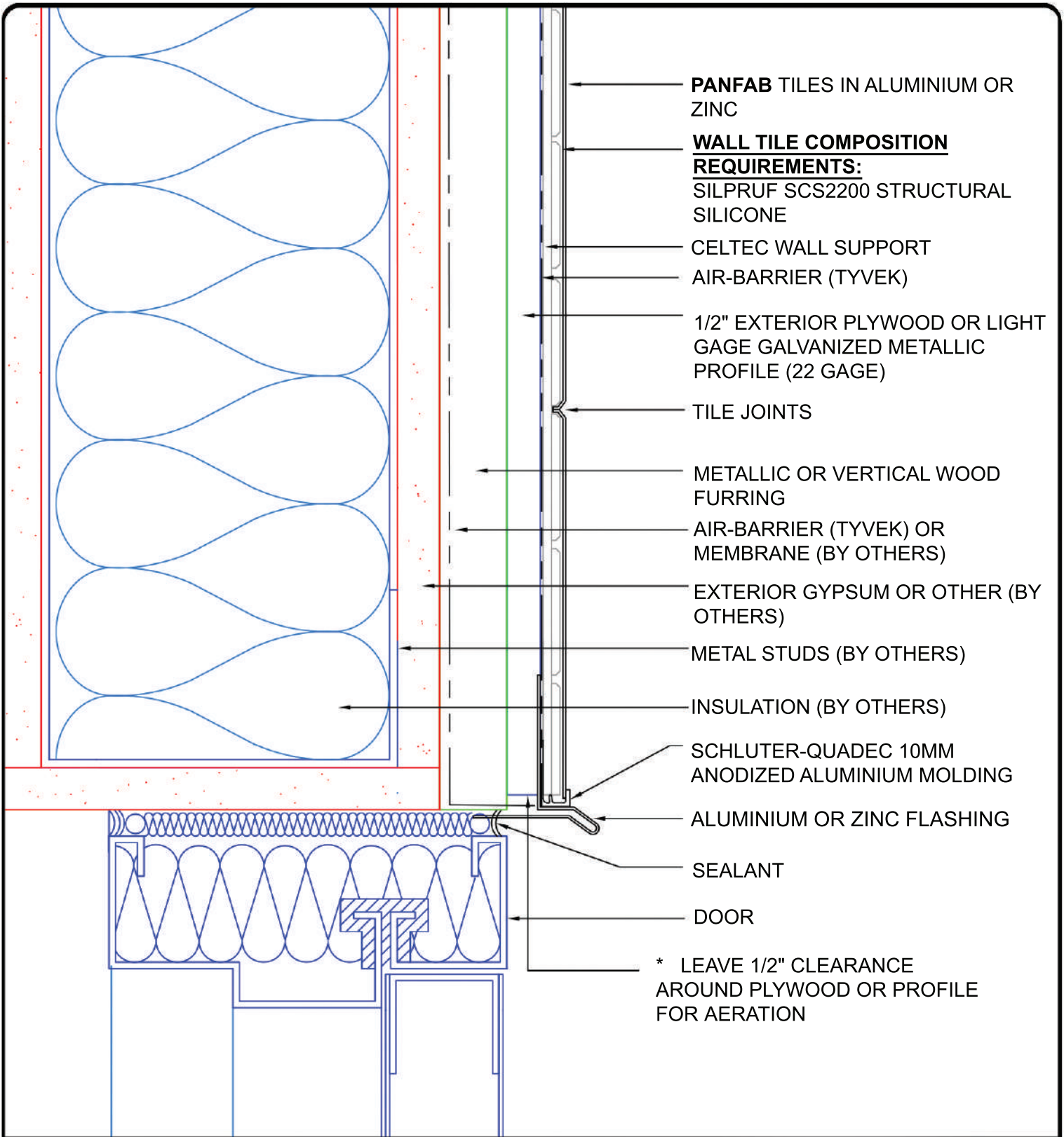
1:2

Page:

150230

Date:

APRIL 2015



PANFAB TILES IN ALUMINIUM OR ZINC

**WALL TILE COMPOSITION REQUIREMENTS:**

SILPRUF SCS2200 STRUCTURAL SILICONE

CELTEC WALL SUPPORT

AIR-BARRIER (TYVEK)

1/2" EXTERIOR PLYWOOD OR LIGHT GAGE GALVANIZED METALLIC PROFILE (22 GAGE)

TILE JOINTS

METALLIC OR VERTICAL WOOD FURRING

AIR-BARRIER (TYVEK) OR MEMBRANE (BY OTHERS)

EXTERIOR GYPSUM OR OTHER (BY OTHERS)

METAL STUDS (BY OTHERS)

INSULATION (BY OTHERS)

SCHLUTER-QUADEC 10MM ANODIZED ALUMINIUM MOLDING

ALUMINIUM OR ZINC FLASHING

SEALANT

DOOR

\* LEAVE 1/2" CLEARANCE AROUND PLYWOOD OR PROFILE FOR AERATION



www.PanfabDesignUsa.com

1-844-433-9446

Project:

TYPICAL EXTERIOR INSTALLATION

Title:

SECTIONAL VIEW – DETAIL – DOOR TOP

Scale:

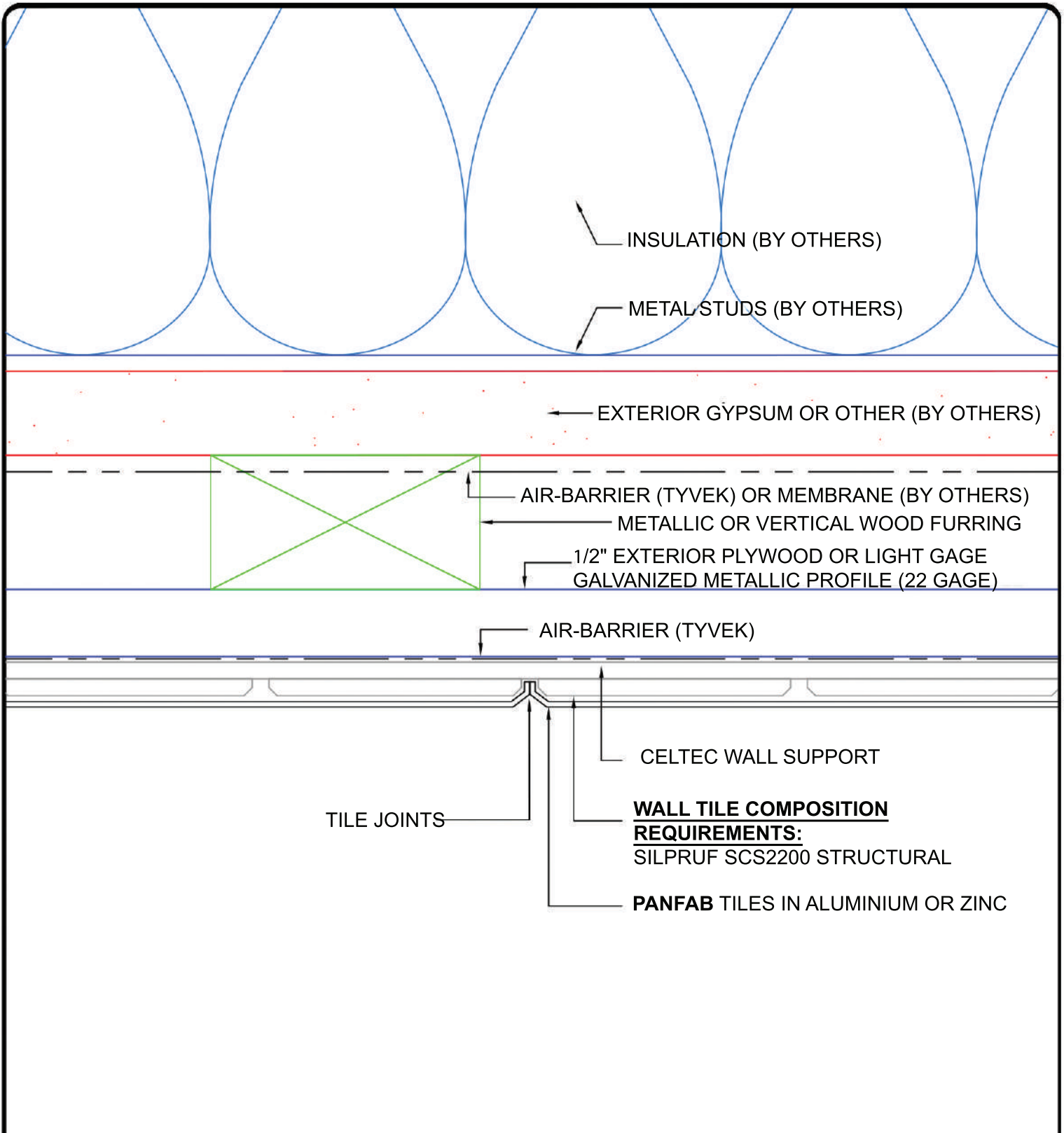
1:2

Page:

150241

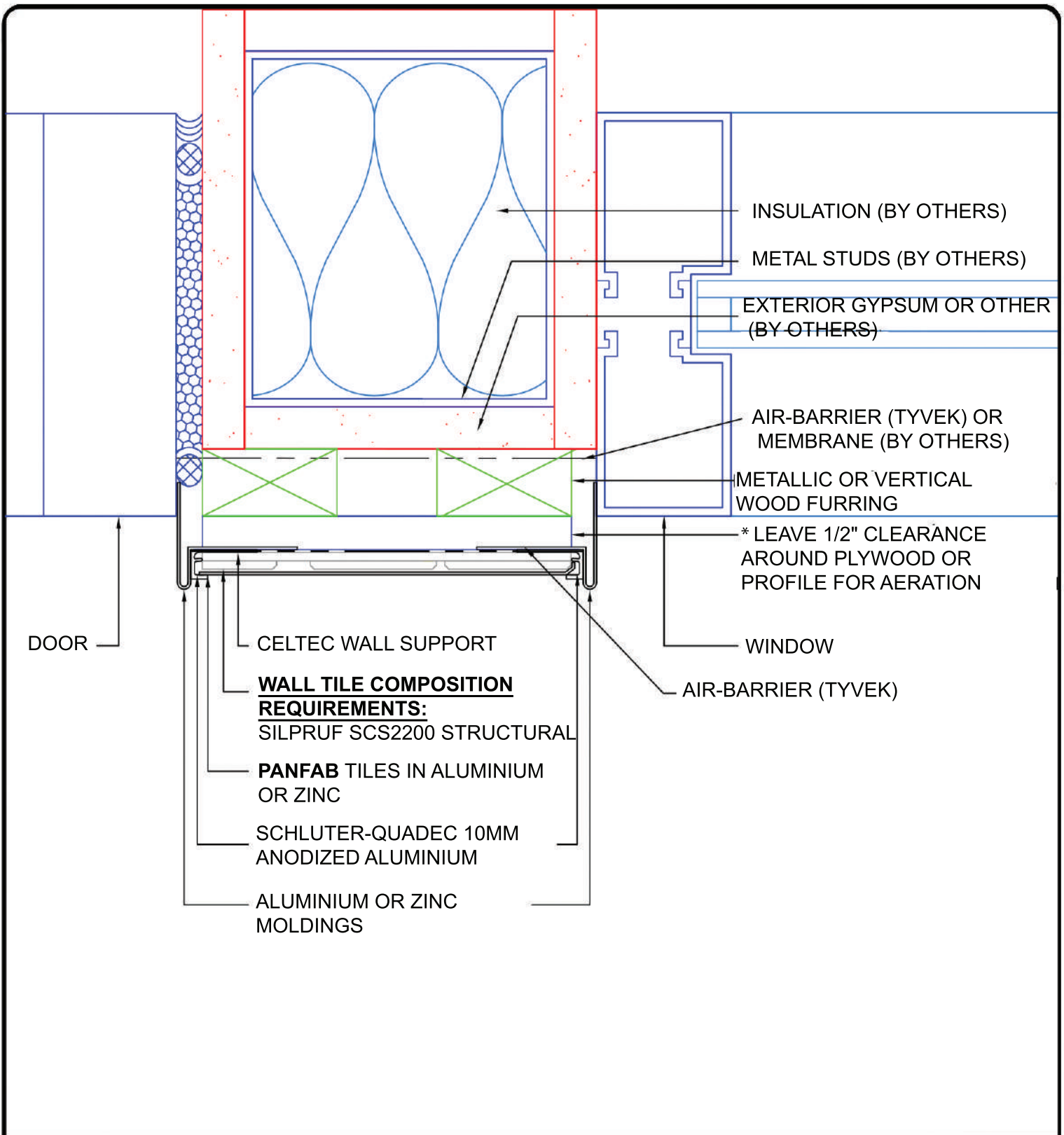
Date:

APRIL 2015



www.PanfabDesignUsa.com  
 1-844-433-9446

Project:		TYPICAL EXTERIOR INSTALLATION
Title:		PLAN VIEW – JOINT
Scale:	1:1	Page: 150220
Date:	APRIL 2015	



DOOR

CELTEC WALL SUPPORT

**WALL TILE COMPOSITION REQUIREMENTS:**

SILPRUF SCS2200 STRUCTURAL

PANFAB TILES IN ALUMINIUM OR ZINC

SCHLUTER-QUADEC 10MM ANODIZED ALUMINIUM

ALUMINIUM OR ZINC MOLDINGS

INSULATION (BY OTHERS)

METAL STUDS (BY OTHERS)

EXTERIOR GYPSUM OR OTHER (BY OTHERS)

AIR-BARRIER (TYVEK) OR MEMBRANE (BY OTHERS)

METALLIC OR VERTICAL WOOD FURRING

\* LEAVE 1/2" CLEARANCE AROUND PLYWOOD OR PROFILE FOR AERATION

WINDOW

AIR-BARRIER (TYVEK)



www.PanfabDesignUsa.com

1-844-433-9446

**Project:** TYPICAL EXTERIOR INSTALLATION

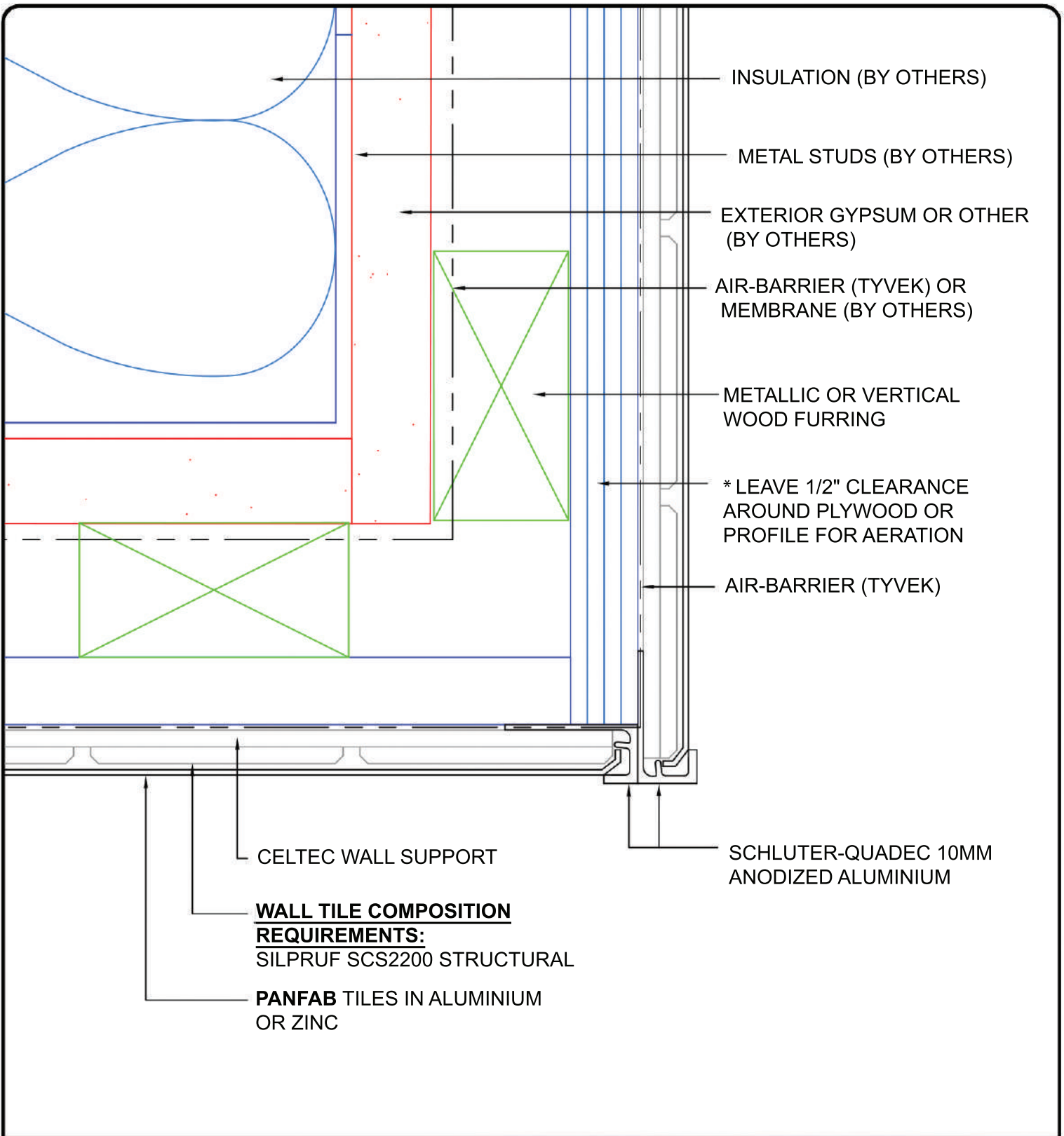
**Title:** PLAN VIEW – DOOR AND WINDOW JUNCTION

**Scale:** 1:2

**Page:**

**Date:** APRIL 2015

150310

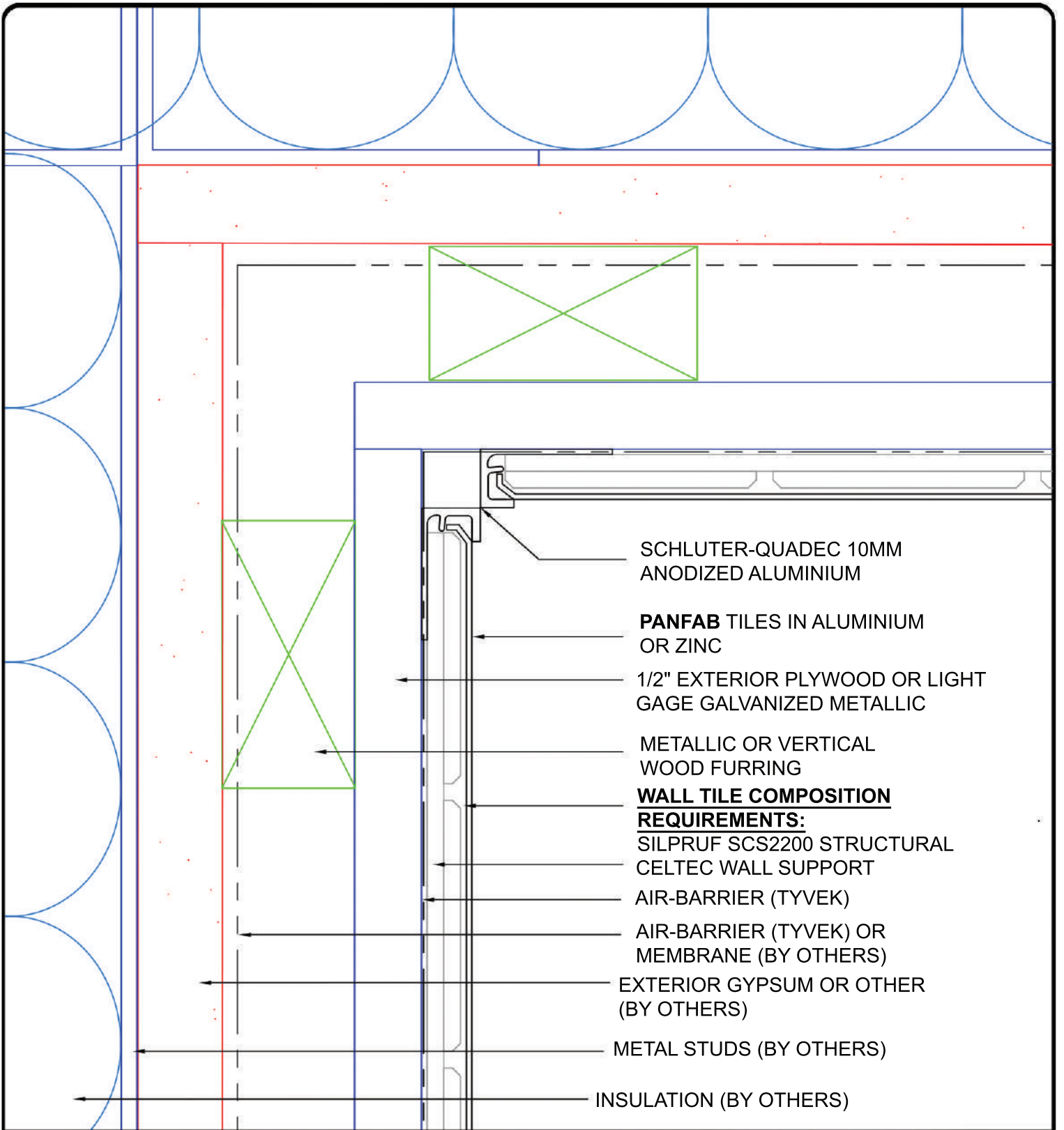


**WALL TILE COMPOSITION REQUIREMENTS:**  
 SILPRUF SCS2200 STRUCTURAL  
**PANFAB** TILES IN ALUMINIUM OR ZINC



[www.PanfabDesignUsa.com](http://www.PanfabDesignUsa.com)  
 1-844-433-9446

<b>Project:</b>	
TYPICAL EXTERIOR INSTALLATION	
<b>Title:</b>	
PLAN VIEW – INTERIOR CORNER	
<b>Scale:</b>	1:1
<b>Date:</b>	APRIL 2015
<b>Page:</b>	150320



SCHLUTER-QUADEC 10MM  
ANODIZED ALUMINIUM

**PANFAB** TILES IN ALUMINIUM  
OR ZINC

1/2" EXTERIOR PLYWOOD OR LIGHT  
GAGE GALVANIZED METALLIC

METALLIC OR VERTICAL  
WOOD FURRING

**WALL TILE COMPOSITION**

**REQUIREMENTS:**

SILPRUF SCS2200 STRUCTURAL  
CELTEC WALL SUPPORT

AIR-BARRIER (TYVEK)

AIR-BARRIER (TYVEK) OR  
MEMBRANE (BY OTHERS)

EXTERIOR GYPSUM OR OTHER  
(BY OTHERS)

METAL STUDS (BY OTHERS)

INSULATION (BY OTHERS)



www.PanfabDesignUsa.com  
1-844-433-9446

**Project:**

TYPICAL EXTERIOR INSTALLATION

**Title:**

PLAN VIEW – INTERIOR CORNER

**Scale:**

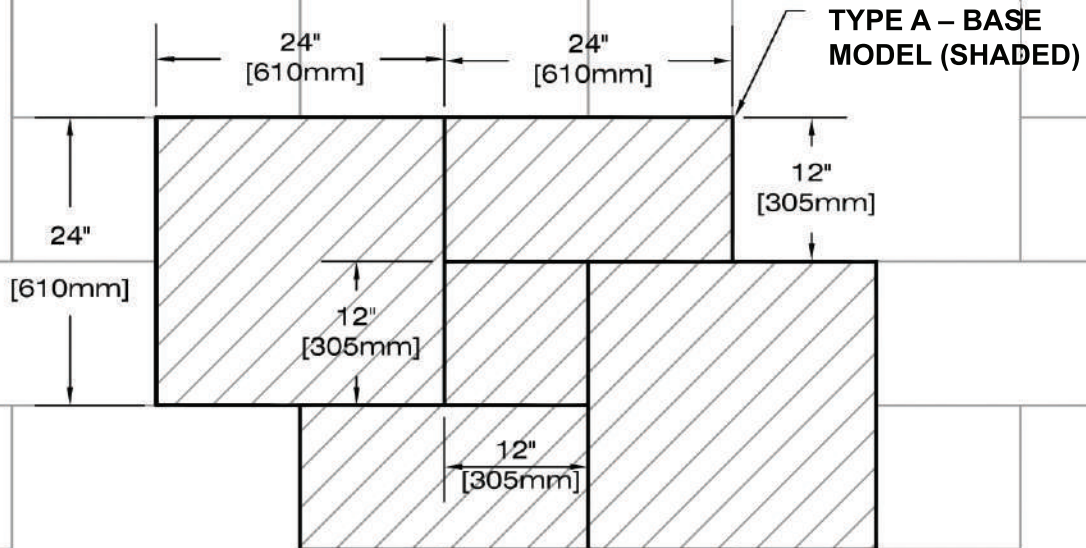
1:1

**Page:**

150330

**Date:**

APRIL 2015



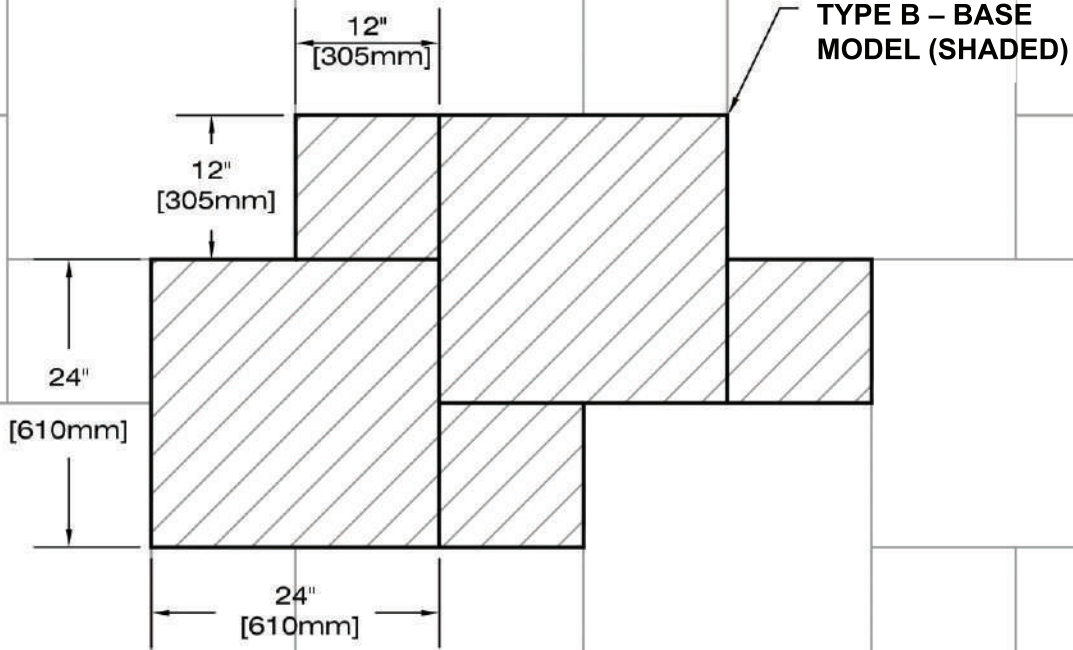
<u>DIMENSION OF TILES:</u>	<u>PERCENTAGE OF OCCUPIED AREA</u>
----------------------------	------------------------------------

12" x 12" :	15 %
12" x 24" :	30 %
24" x 24" :	55 %



www.PanfabDesignUsa.com  
1-844-433-9446

Project:		BASE MODELS	
Title:		TYPE A	
Scale:	1:16	Page:	TYPE A
Date:	APRIL 2013		



**DIMENSION OF TILES:**

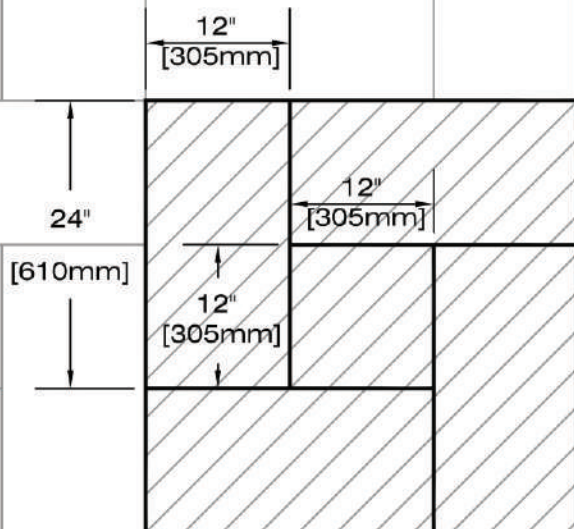
**PERCENTAGE OF OCCUPIED AREA**

12" x 12" : 20 %  
 24" x 24" : 80 %



www.PanfabDesignUsa.com  
 1-844-433-9446

Project:		BASE MODELS	
Title:		TYPE B	
Scale:	1;16	Page:	TYPE B
Date:	APRIL 2013		



**TYPE C – BASE  
MODEL (SHADED)**

**DIMENSION OF TILES:**

**PERCENTAGE OF OCCUPIED AREA**

**12" x 12" : 10 %**  
**12" x 24" : 90 %**



**www.PanfabDesignUsa.com**  
**1-844-433-9446**

**Project:**

**BASE MODELS**

**Title:**

**TYPE C**

**Scale:**

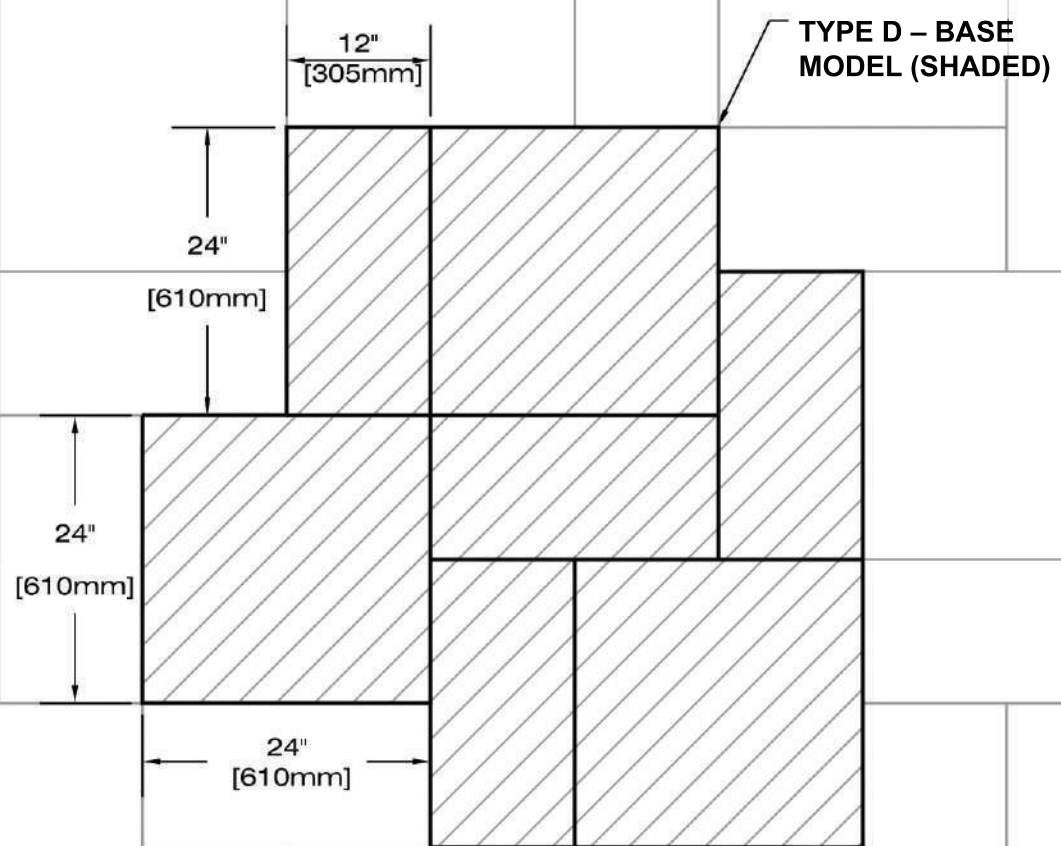
**1:16**

**Page:**

**TYPE C**

**Date:**

**APRIL 2013**



**DIMENSION OF TILES:**

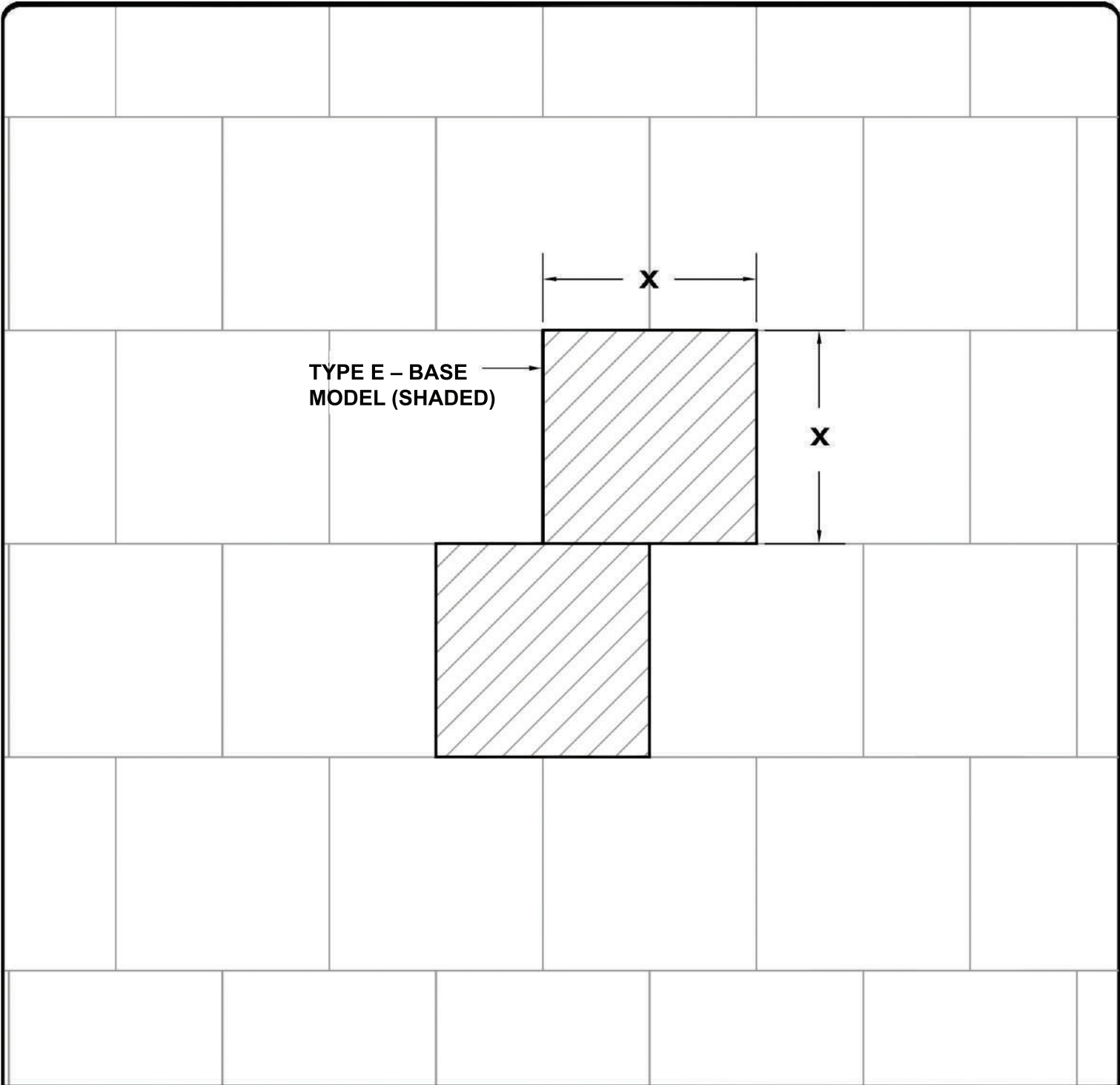
**PERCENTAGE OF OCCUPIED AREA**

12" x 24" :	50 %
24" x 24" :	50 %



**www.PanfabDesignUsa.com**  
**1-844-433-9446**

<b>Project:</b> BASE MODELS	
<b>Title:</b> TYPE D	
<b>Scale:</b> 1:16	<b>Page:</b> TYPE D
<b>Date:</b> APRIL 2013	



DIMENSION "X" OF AVAILABLE TILES:

4" x 4"

8" x 8"

12" x 12"

24" x 24"



[www.PanfabDesignUsa.com](http://www.PanfabDesignUsa.com)

1-844-433-9446

Project:

BASE MODELS

Title:

TYPE E

Scale:

1:16

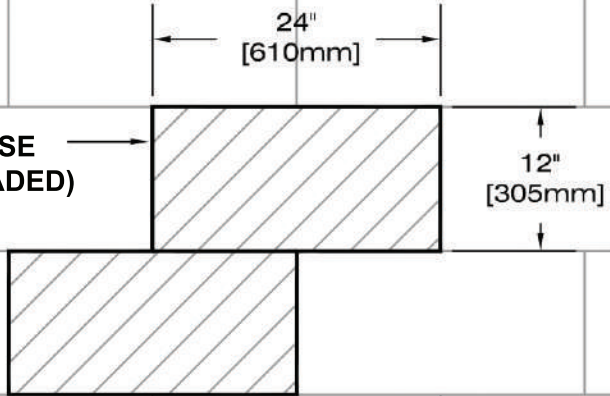
Page:

TYPE E

Date:

APRIL 2013

TYPE F – BASE  
MODEL (SHADED)



[www.PanfabDesignUsa.com](http://www.PanfabDesignUsa.com)  
1-844-433-9446

Project:

BASE MODELS

Title:

TYPE F

Scale:

1:16

Page:

TYPE F

Date:

APRIL 2013