

PR100 PANFAB PROFILE

- **PR-110 MODEL: SQUARE RIBS**



- **PR-120 MODEL: HORIZONTAL RECTANGLE RIBS**



- **PR-130 MODEL: VERTICAL RECTANGLE RIBS**



- **PR-140 MODEL: VARIABLE RECTANGLE RIBS**



- **PR-150 MODEL: TRAPEZE RIBS**



- **PR-160 MODEL: RIBS WITH 1 ANGLE**



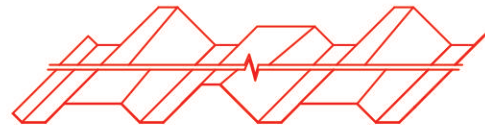
- **PR-170 MODEL: RIBS WITH 2 ANGLES**



- **PR-180 MODEL: TRIANGLE RIBS**



- **PR-190 MODEL: CUSTOM MADE SPECIAL RIBS**



USE: - Wall covering (vertical or horizontal installation)
DESCRIPTION: - Custom ribbed profile
 - Custom width; length up to 26'-3" = 8.0 m (4'-0" min = 1.2m)
 - Visible face screw
FINISH OPTIONS: - 0.8mm aluminum material, alloy 5754H42 and pre-painted D-MAX PVDF type Kynar 500 70% finishes such as Duranar XL with a choice of 7 colours available in stock: White RAL9016, Jupiter RAL9006, Neptune, Alpha Centauri, Charcoal, Rigel-2 and Black RAL9005.
 - Special series offered such as: EuraBuild, EuraDesign, EuraMica, AluNatur (for 0.8mm thickness material available on special order; minimum of 11 000 sq. ft. required)



www.PanfabDesignUsa.com
 1-844-433-9446

Project:		PR-100 PANFAB PROFILE
Title:		MODEL PRESENTATION
Scale:	1:10	Page: 100000
Date:	JUNE 2017	

ASSEMBLY - COMBINED PROFILES EFFECT

- 110 MODEL EXAMPLE



PR-116A PR-116B PR-116A PR-116B

- 120 MODEL EXAMPLE



PR-121 PR-122 PR-123 PR-124

- 140 MODEL EXAMPLE



PR-142 PR-144 PR-142
(inv.) PR-142

- 150 MODEL EXAMPLE



PR-151 PR-152 PR-153 PR-154

- 160 MODEL EXAMPLE



PR-161 PR-166A PR-166B PR-169

- 180 MODEL EXAMPLE

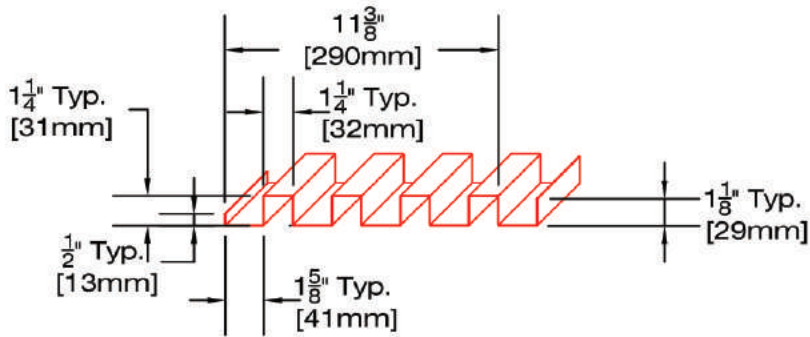


PR-183 PR-184 PR-186A PR-187



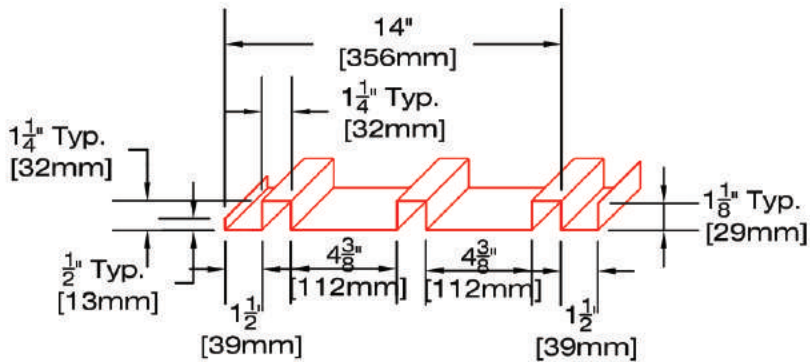
www.PanfabDesignUsa.com
1-844-433-9446

Project:		PR-100 PANFAB PROFILE
Title:		ASSEMBLY - COMBINED PROFILES EFFECT
Scale:	1:10	Page: 100010
Date:	JUNE 2017	



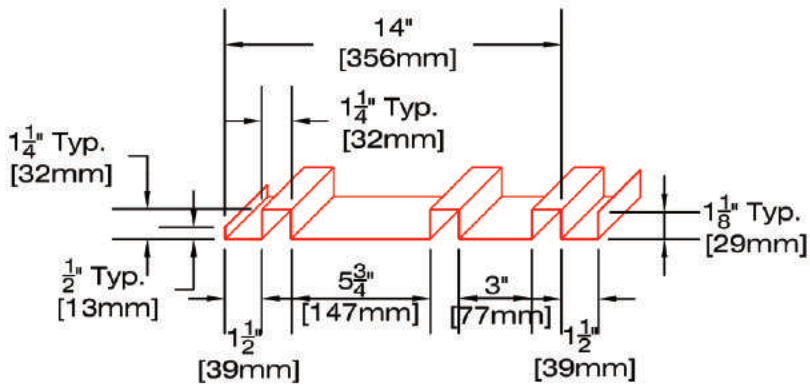
PR-111 MODEL

4 ribs A
Covers 1 1/4" high
11.4"



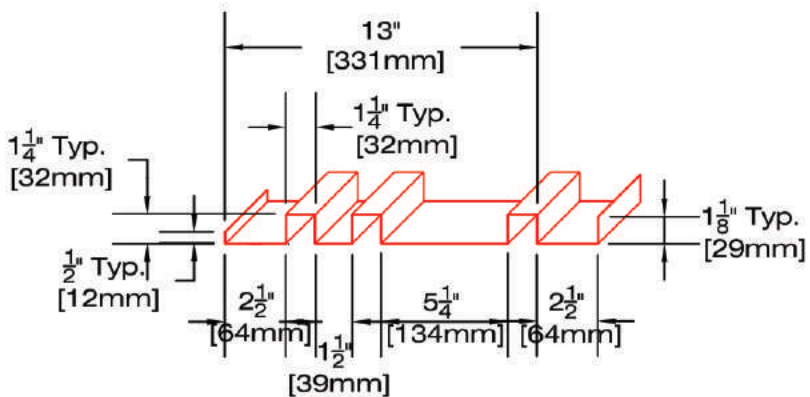
PR-112 MODEL

3 ribs A
Covers 1 1/4" high
14"



PR-113 MODEL

3 ribs A
Covers 1 1/4" high
14"



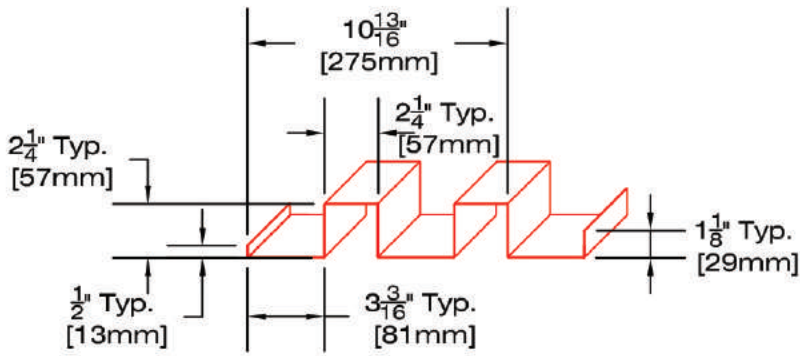
PR-114 MODEL

3 ribs A
Covers 1 1/4" high
13"



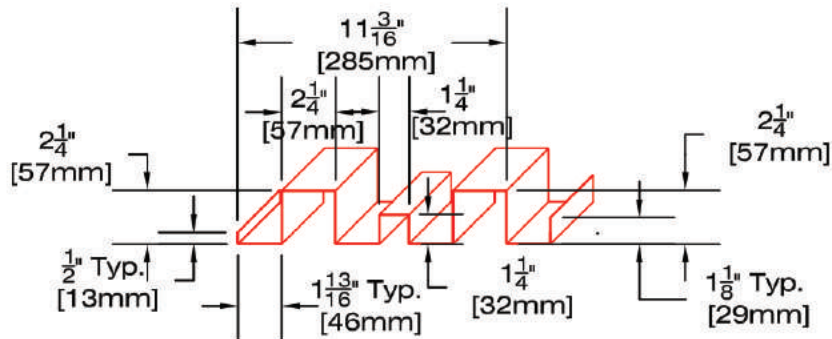
www.PanfabDesignUsa.com
1-844-433-9446

Project:		PR-100 PANFAB PROFILE
Title:		PR-110 MODEL SQUARE RIBS
Scale:	1:8	Page: 100110
Date:	JUNE 2017	



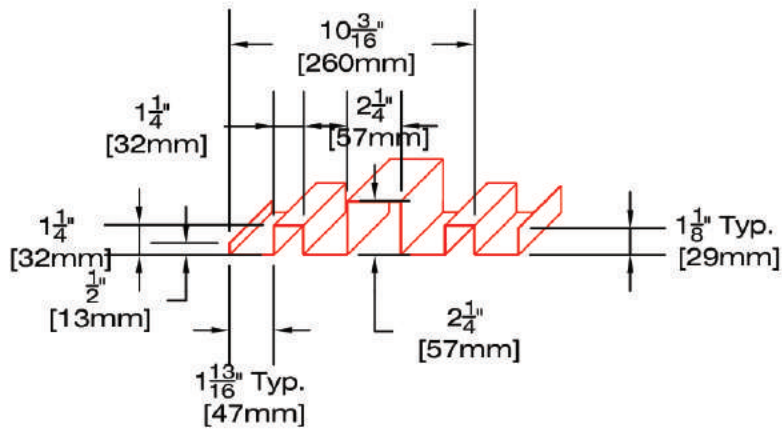
PR-115 MODEL

2 ribs B 2 1/4" high
Covers 10 3/16"



PR-116A MODEL

1 rib A 1 1/4" high
2 ribs B 2 1/4" high
Covers 11 3/16"



PR-116B MODEL

2 ribs A 1 1/4" high
2 ribs B 2 1/4" high
Covers 10 3/16"



www.PanfabDesignUsa.com
1-844-433-9446

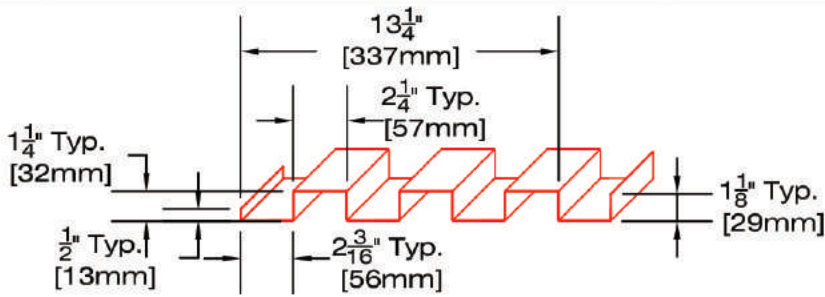
Project: PR-100 PANFAB PROFILE

Title: PR-110 MODEL SQUARE RIBS

Scale: 1:8

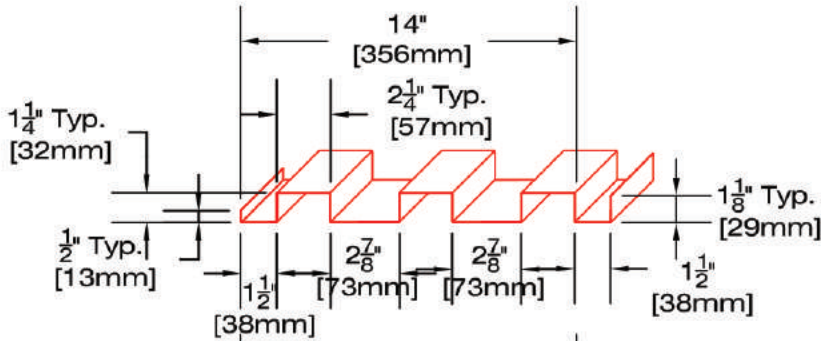
Page: 100111

Date: JUNE 2017



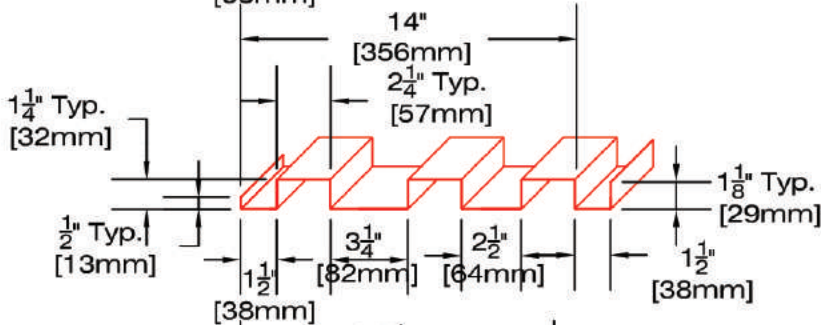
PR-121 MODEL

3 ribs A 1 1/4" high
Covers 13 1/4"



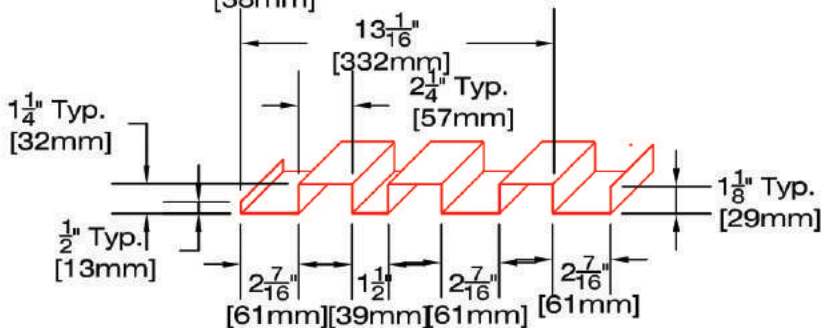
PR-122 MODEL

3 ribs A 1 1/4" high
Covers 14"



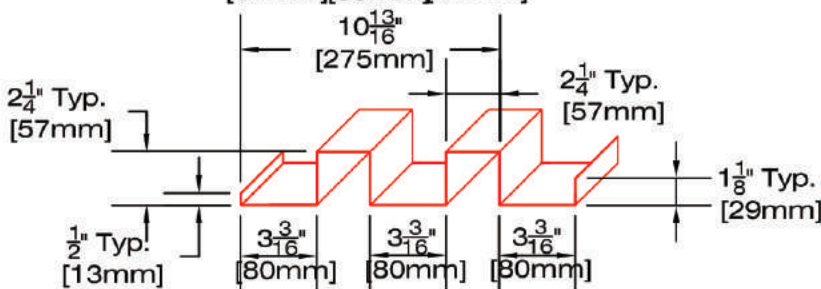
PR-123 MODEL

3 ribs A 1 1/4" high
Covers 14"



PR-124 MODEL

3 ribs A 1 1/4" high
Covers 13 1/16"



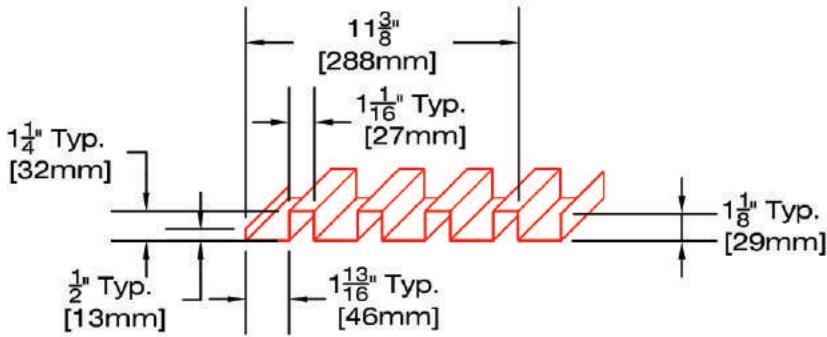
PR-125 MODEL

2 ribs B 2 1/4" high
Covers 10 13/16"



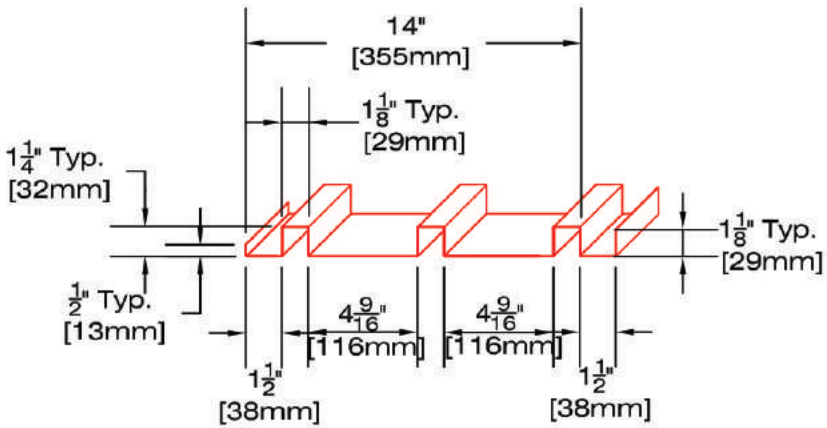
www.PanfabDesignUsa.com
1-844-433-9446

Project:		PR-100 PANFAB PROFILE
Title:		PR-120 MODEL HORIZONTAL RECTANGLE RIBS
Scale:	1:8	Page: 100120
Date:	JUNE 2017	



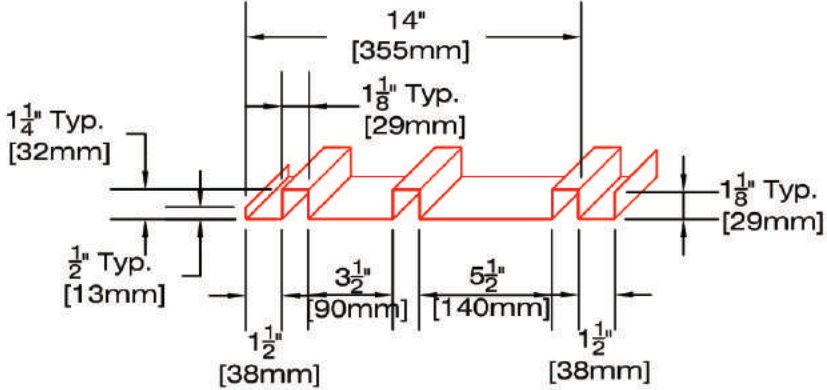
PR-131 MODEL

4 ribs A 1 1/4" high
Covers 11 3/8"



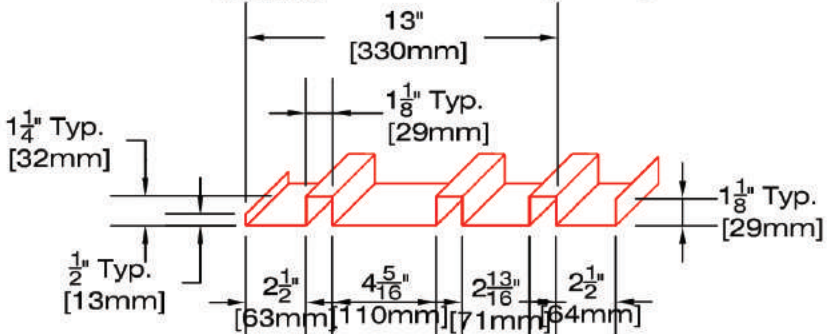
PR-132 MODEL

3 ribs A 1 1/4" high
Covers 14"



PR-133 MODEL

3 ribs A 1 1/4" high
Covers 14"



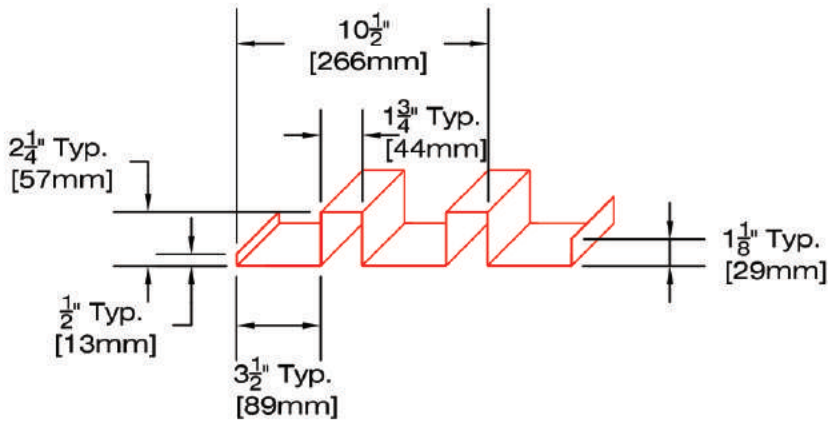
PR-134 MODEL

3 ribs A 1 1/4" high
Covers 13"



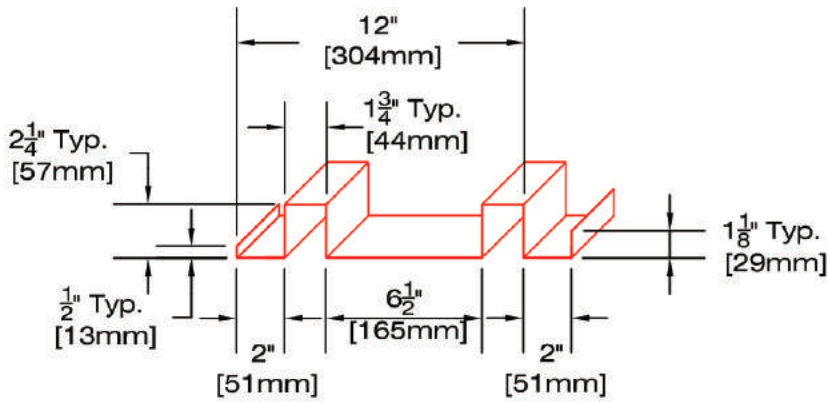
www.PanfabDesignUsa.com
1-844-433-9446

Project:		PR-100 PANFAB PROFILE
Title:		PR-130 MODEL VERTICAL RECTANGLE RIBS
Scale:	1:8	Page: 100130
Date:	JUNE 2017	



PR-135 MODEL

2 ribs B 2 1/4" high
Covers 10 1/2"



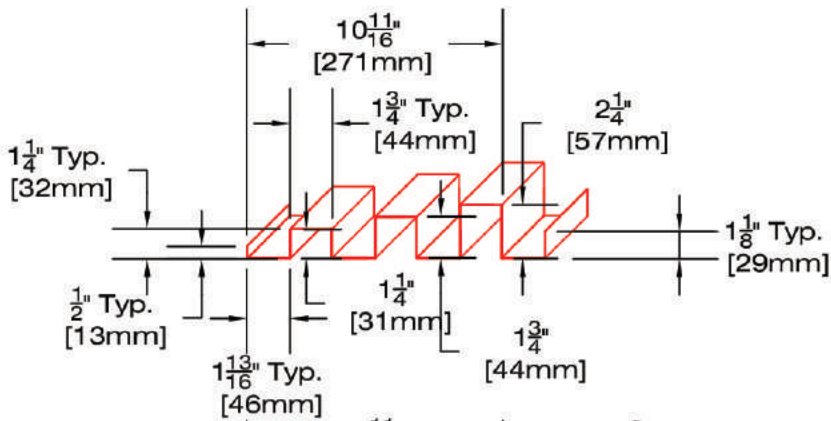
PR-136 MODEL

2 ribs B 2 1/4" high
Covers 12"



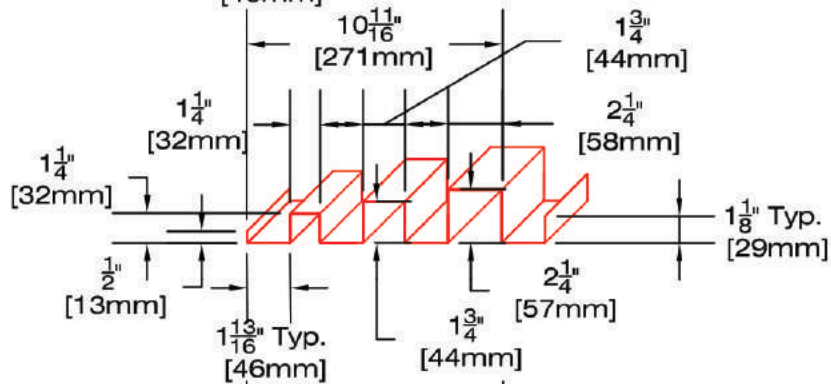
www.PanfabDesignUsa.com
1-844-433-9446

Project:		PR-100 PANFAB PROFILE
Title:		PR-130 MODEL VERTICAL RECTANGLE RIBS
Scale:	1:8	Page: 100131
Date:	JUNE 2017	



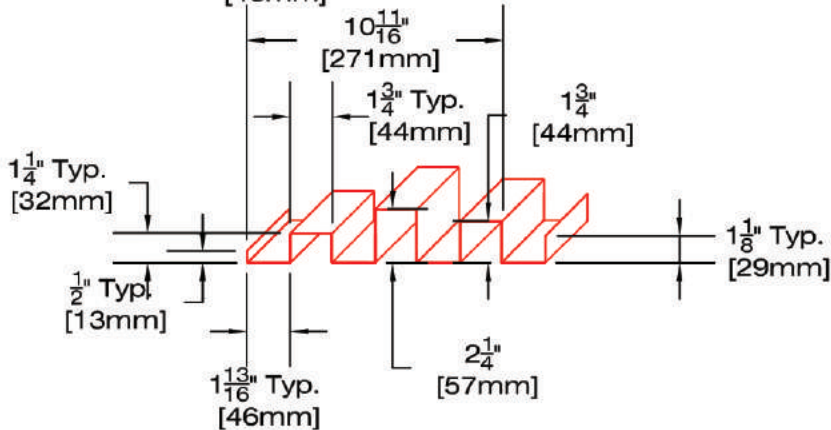
PR-141 MODEL

- 1 rib A 1 1/4" high
- 1 rib B 2 1/4" high
- 1 rib C 1 3/4" high
- Covers 10 11/16"



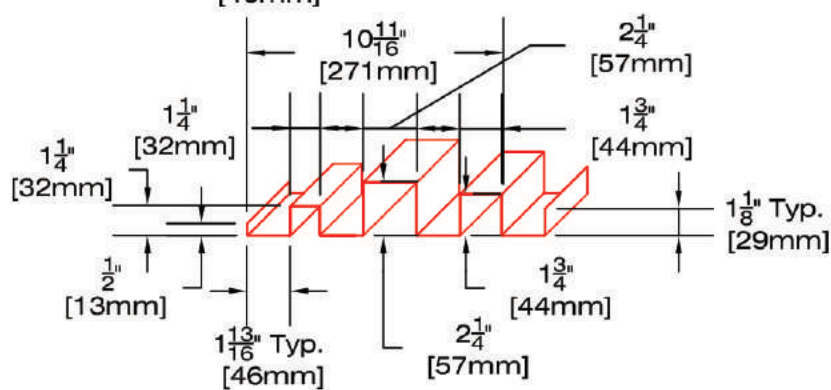
PR-142 MODEL

- 1 rib A 1 1/4" high
- 1 rib B 2 1/4" high
- 1 rib C 1 3/4" high
- Covers 10 11/16"



PR-143 MODEL

- 1 rib A 1 1/4" high
- 1 rib B 2 1/4" high
- 1 rib C 1 3/4" high
- Covers 10 11/16"



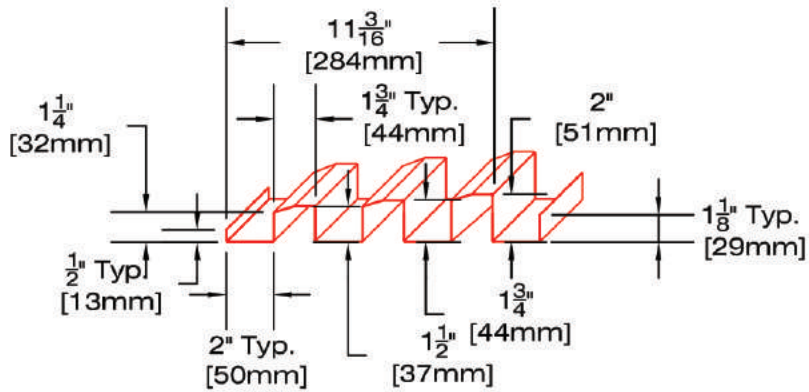
PR-144 MODEL

- 1 rib A 1 1/4" high
- 1 rib B 2 1/4" high
- 1 rib C 1 3/4" high
- Covers 10 11/16"



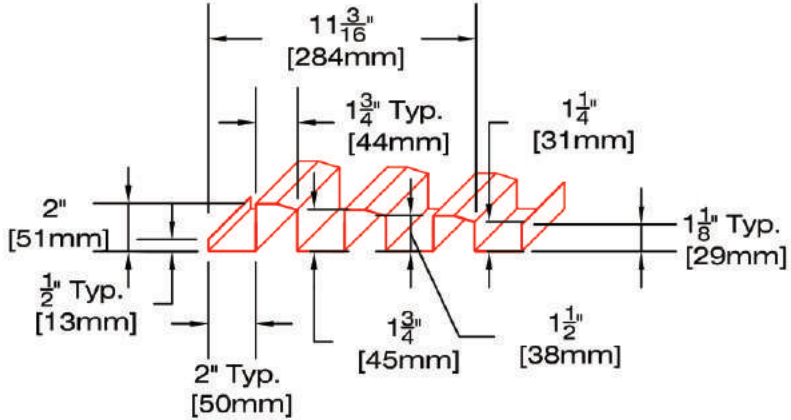
www.PanfabDesignUsa.com
1-844-433-9446

Project:		PR-100 PANFAB PROFILE	
Title:		PR-140 MODEL VARIABLE RECTANGLE RIBS	
Scale:	1:8	Page:	100140
Date:	JUNE 2017		



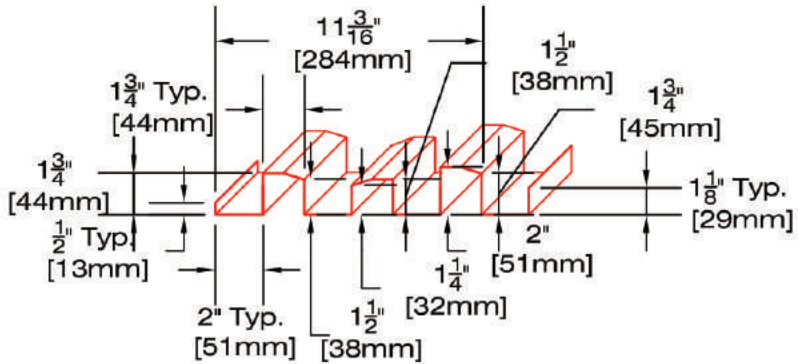
PR-151 MODEL

- 1 rib D 1 1/4" @ 1 1/2" high
- 1 rib E 1 1/2" @ 1 3/4" high
- 1 rib F 1 3/4" @ 2" high
- Covers 11 3/16"



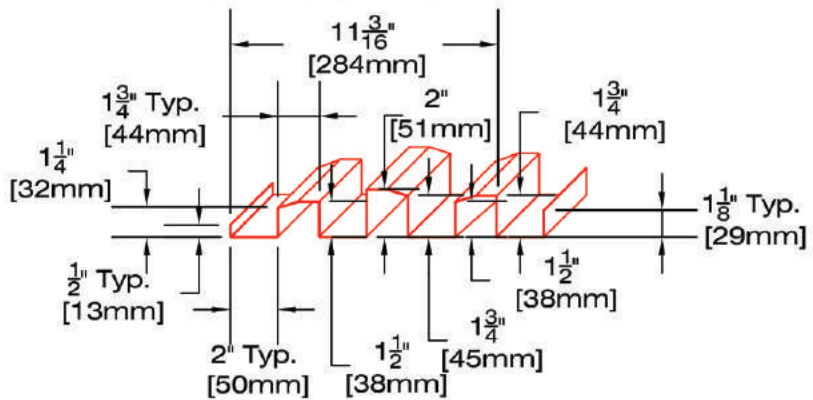
PR-152 MODEL

- 1 rib D 1 1/4" @ 1 1/2" high
- 1 rib E 1 1/2" @ 1 3/4" high
- 1 rib F 1 3/4" @ 2" high
- Covers 11 3/16"



PR-153 MODEL

- 1 rib D 1 1/4" @ 1 1/2" high
- 1 rib E 1 1/2" @ 1 3/4" high
- 1 rib F 1 3/4" @ 2" high
- Covers 11 3/16"



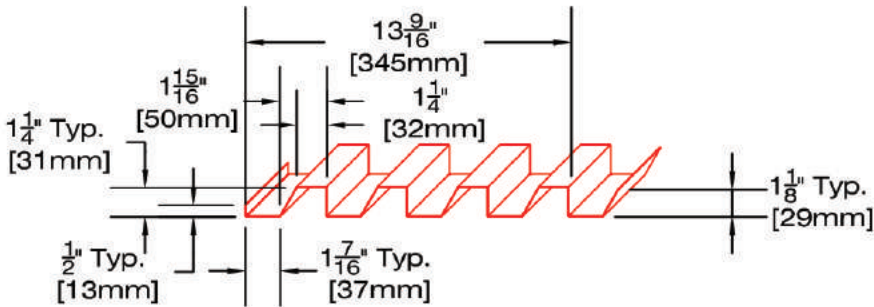
PR-154 MODEL

- 1 rib D 1 1/4" @ 1 1/2" high
- 1 rib E 1 1/2" @ 1 3/4" high
- 1 rib F 1 3/4" @ 2" high
- Covers 11 3/16"



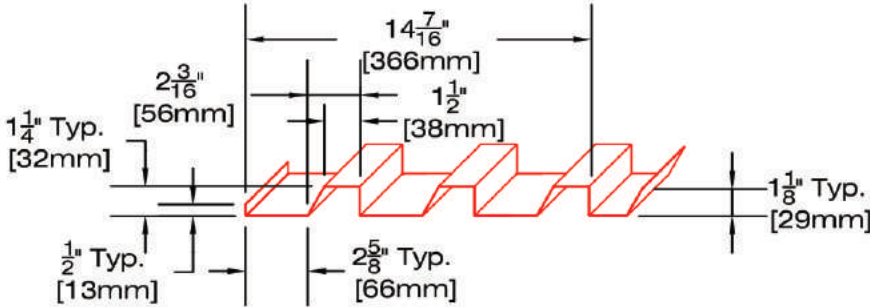
www.PanfabDesignUsa.com
1-844-433-9446

Project:		PR-100 PANFAB PROFILE
Title:		PR-150 MODEL TRAPEZE RIBS
Scale:	1:8	Page: 100150
Date:	JUNE 2017	



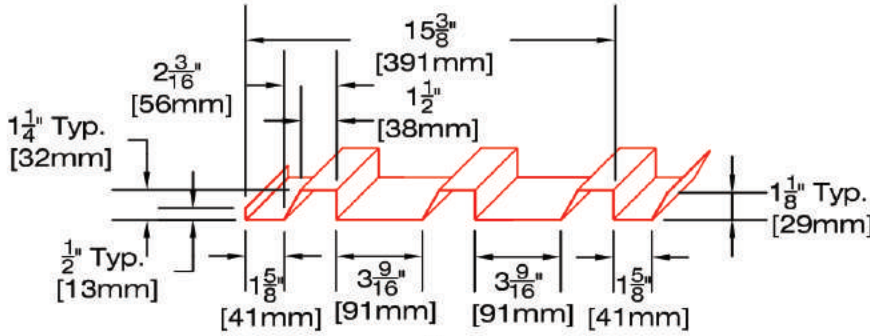
PR-161 MODEL

4 ribs A 1 1/4" high
Covers 13 9/16"



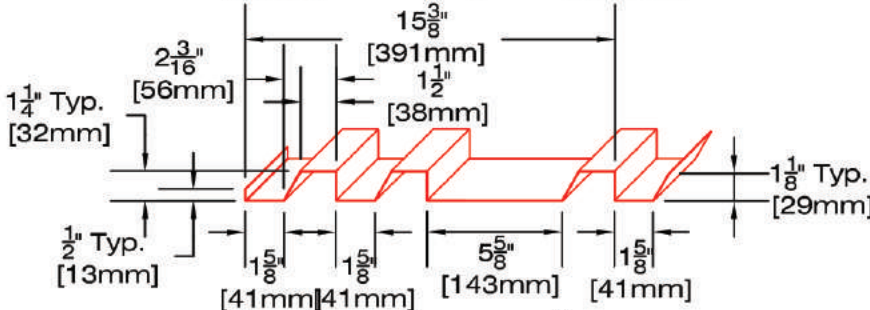
PR-162 MODEL

3 ribs A 1 1/4" high
Covers 14 7/16"



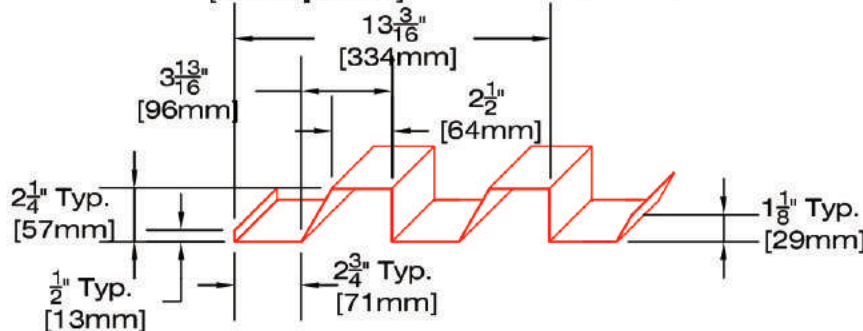
PR-163 MODEL

3 ribs A 1 1/4" high
Covers 15 3/8"



PR-164 MODEL

3 ribs A 1 1/4" high
Covers 15 3/8"



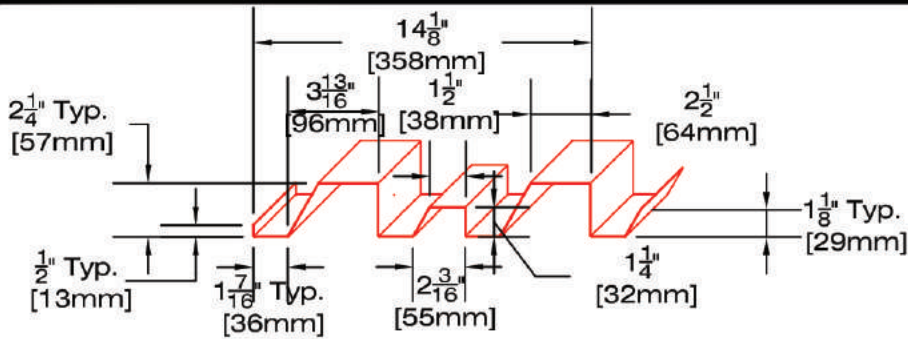
PR-165 MODEL

2 ribs B 2 1/4" high
Covers 13 3/16"



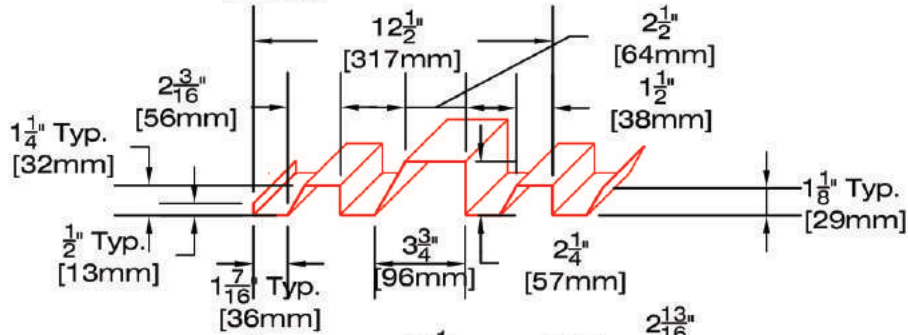
www.PanfabDesignUsa.com
1-844-433-9446

Project:		PR-100 PANFAB PROFILE
Title:		PR-160 MODEL RIBS WITH 1 ANGLE
Scale:	1:8	Page: 100160
Date:	JUNE 2017	



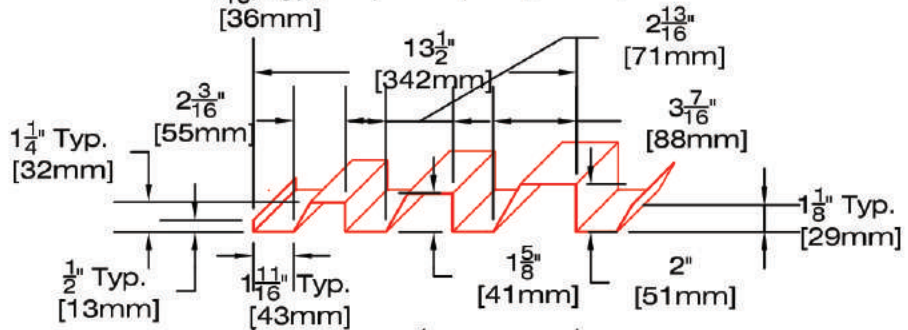
PR-166A MODEL

1 rib A 1 1/4" high
 2 ribs B 2 1/4" high
 Covers 14 1/8"



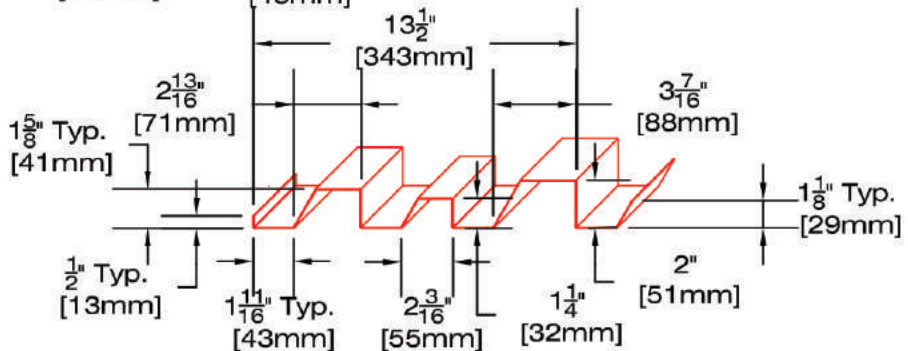
PR-166B MODEL

2 ribs A 1 1/4" high
 1 rib B 2 1/4" high
 Covers 12 1/2"



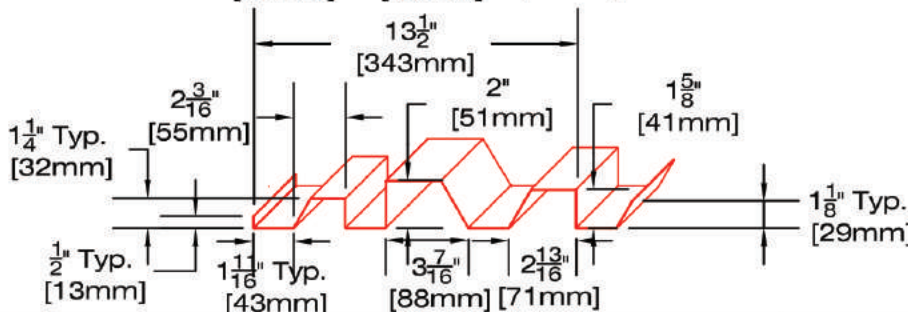
PR-167 MODEL

1 rib A 1 1/4" high
 1 rib D 1 5/8" high
 1 rib E 2" high
 Covers 13 1/2"



PR-168 MODEL

1 rib A 1 1/4" high
 1 rib D 1 5/8" high
 1 rib E 2" high
 Covers 13 1/2"



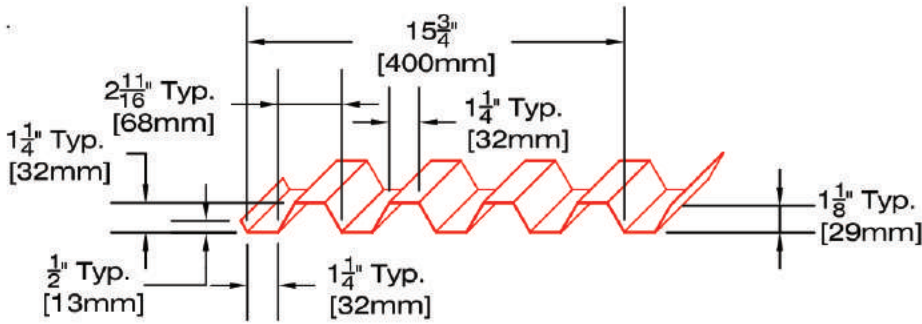
PR-169 MODEL

1 rib A 1 1/4" high
 1 rib D 1 5/8" high
 1 rib E 2" high
 Covers 13 1/2"



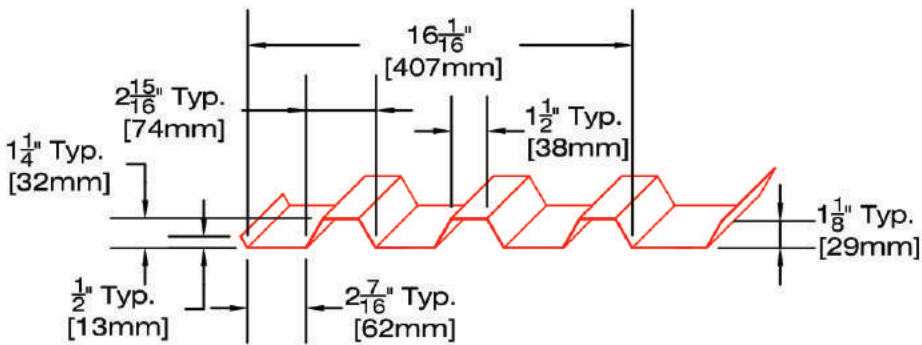
www.PanfabDesignUsa.com
 1-844-433-9446

Project:		PR-100 PANFAB PROFILE
Title:		PR-160 MODEL RIBS WITH 1 ANGLE
Scale:	1:8	Page: 100161
Date:	JUNE 2017	



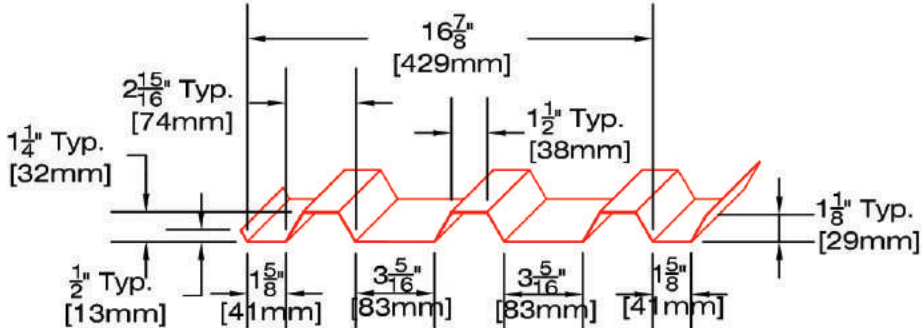
PR-171-30 MODEL

4 ribs A 1 1/4" high
Covers 15 3/4"



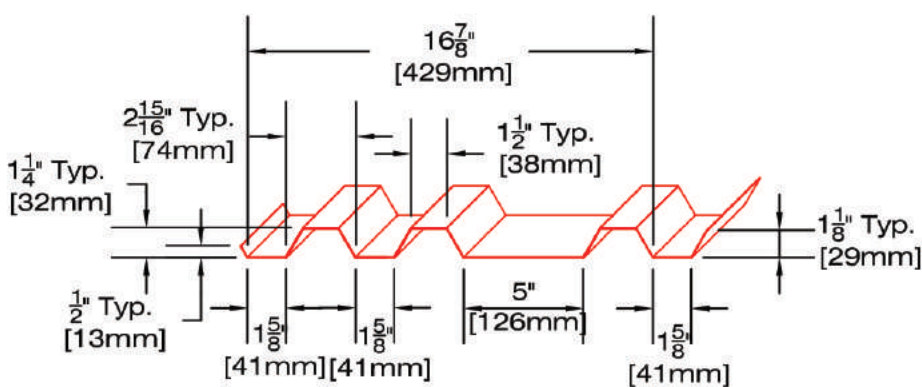
PR-172-30 MODEL

3 ribs A 1 1/4" high
Covers 16 1/16"



PR-173-30 MODEL

3 ribs A 1 1/4" high
Covers 16 7/8"



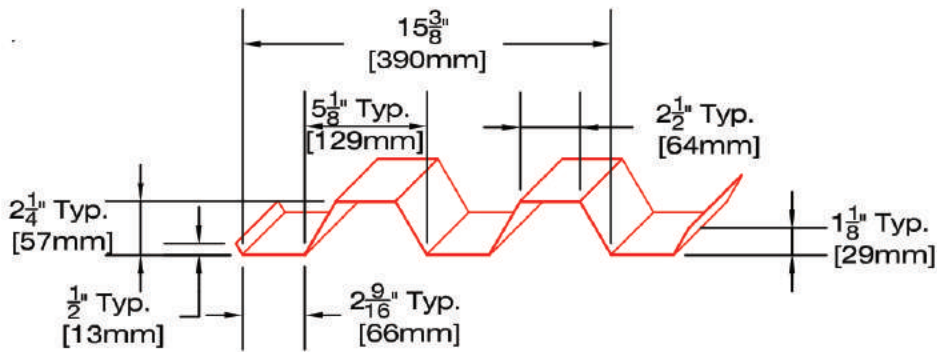
PR-174-30 MODEL

3 ribs A 1 1/4" high
Covers 16 7/8"



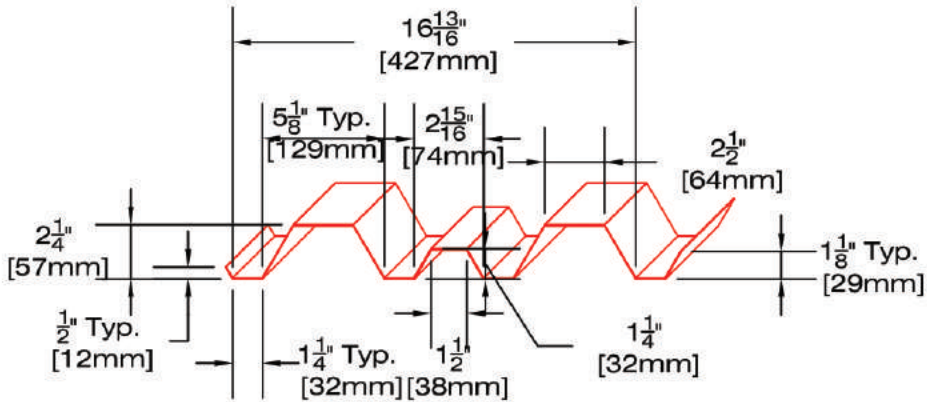
www.PanfabDesignUsa.com
1-844-433-9446

Project:		PR-100 PANFAB PROFILE
Title:		PR-170 MODEL RIBS WITH 2 ANGLES
Scale:	1:8	Page: 100170
Date:	JUNE 2017	



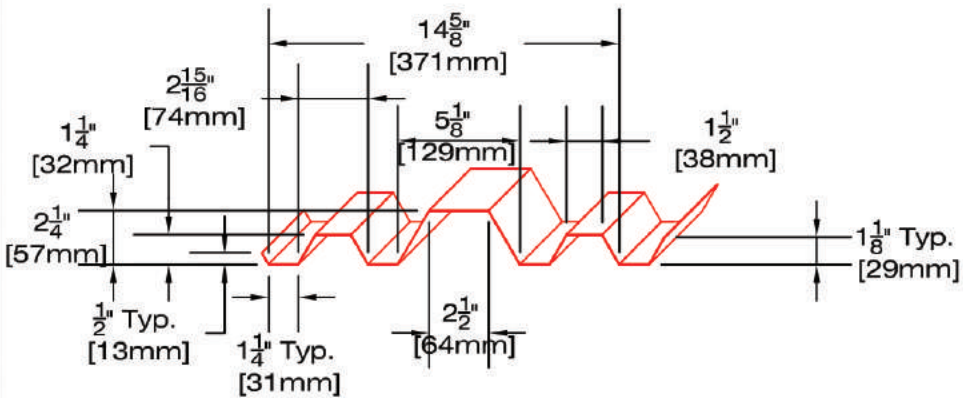
PR-175-30 MODEL

2 ribs B 2 1/4" high
Covers 15 3/8"



PR-176A-30 MODEL

1 rib A 1 1/4" high
2 ribs B 2 1/4" high
Covers 16 13/16"



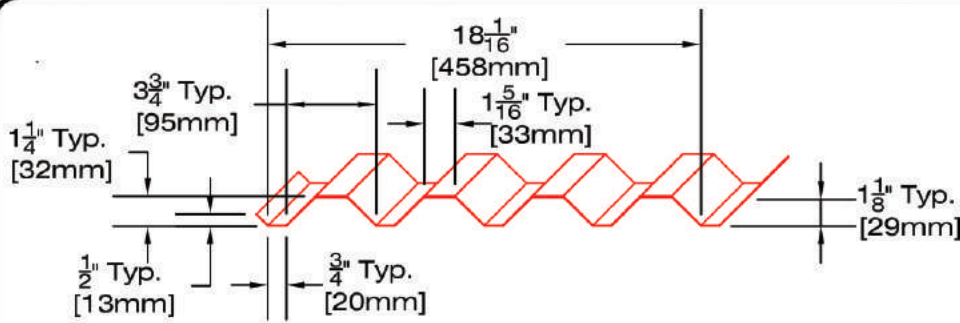
PR-176B-30 MODEL

2 ribs A 1 1/4" high
1 rib B 2 1/4" high
Covers 14 5/8"



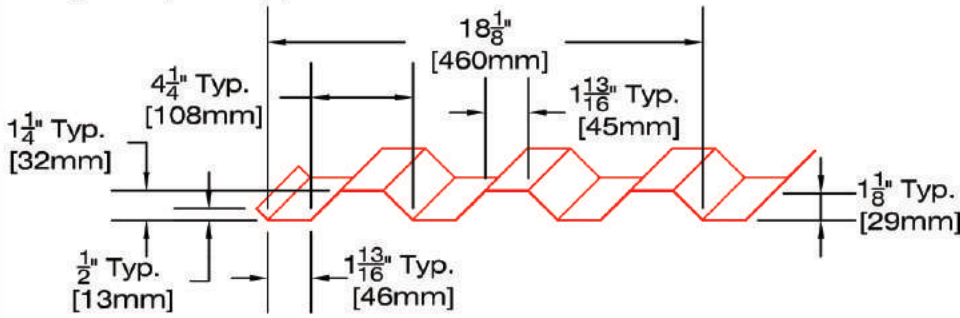
www.PanfabDesignUsa.com
1-844-433-9446

Project:	PR-100 PANFAB PROFILE	
Title:	PR-170 MODEL RIBS WITH 2 ANGLES	
Scale:	1:8	Page: 100171
Date:	JUNE 2017	



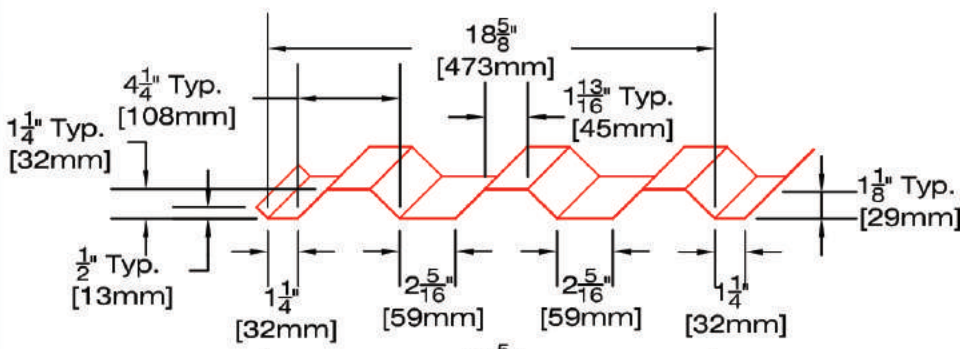
PR-171-45 MODEL

4 ribs A
Covers 1 1/4" high
18 1/16"



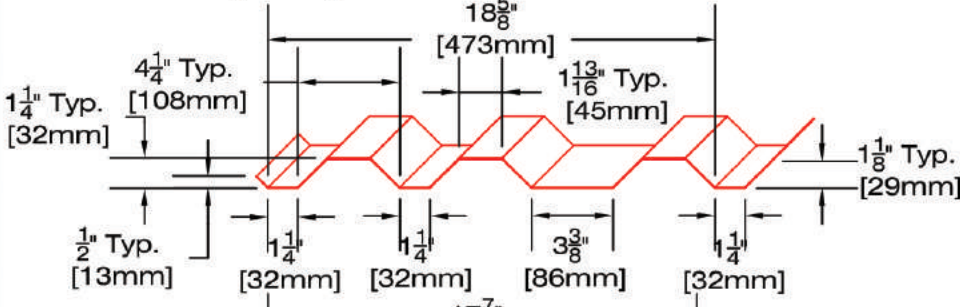
PR-172-45 MODEL

3 ribs A
Covers 1 1/4" high
18 1/8"



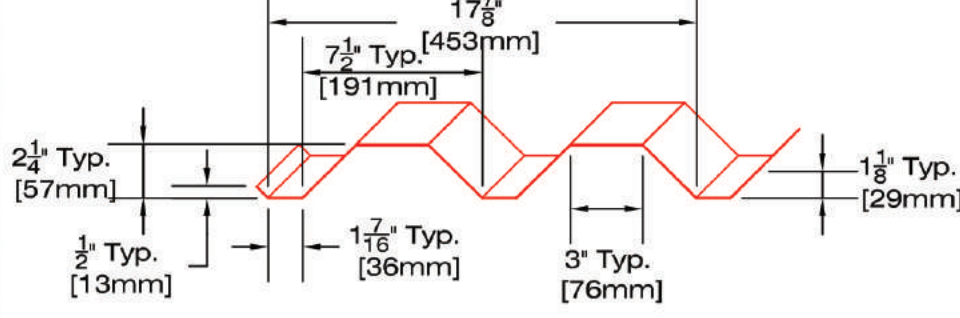
PR-173-45 MODEL

3 ribs A
Covers 1 1/4" high
18 5/8"



PR-174-45 MODEL

3 ribs A
Covers 1 1/4" high
18 5/8"



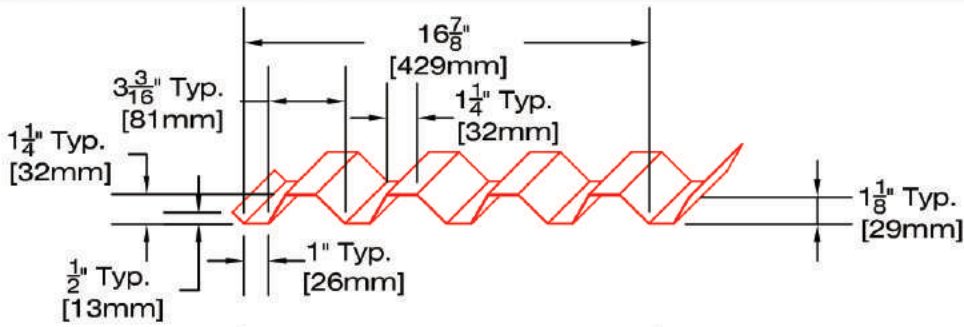
PR-175-45 MODEL

2 ribs B
Covers 2 1/4" high
17 7/8"



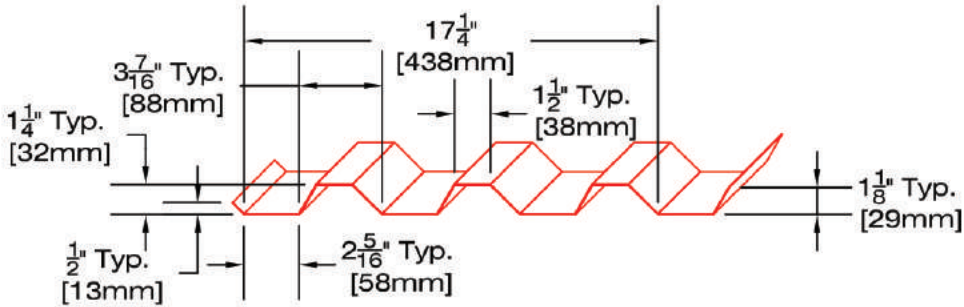
www.PanfabDesignUsa.com
1-844-433-9446

Project:		PR-100 PANFAB PROFILE
Title:		PR-170 MODEL RIBS WITH 2 ANGLES
Scale:	1:8	Page: 100172
Date:	JUNE 2017	



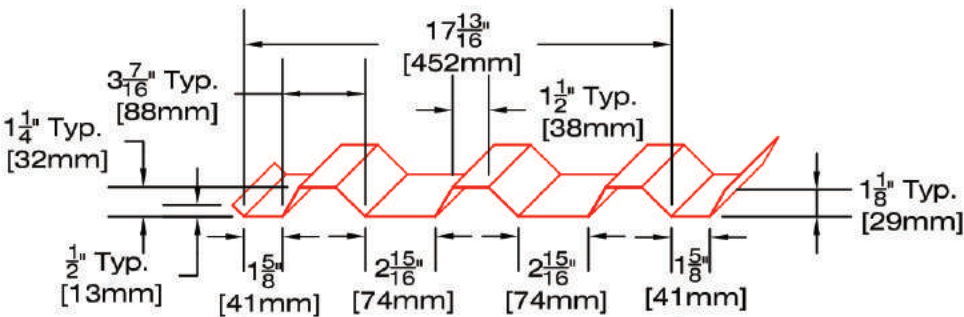
PR-171-COMB MODEL

4 ribs A 1 1/4" high
Covers 16 7/8"



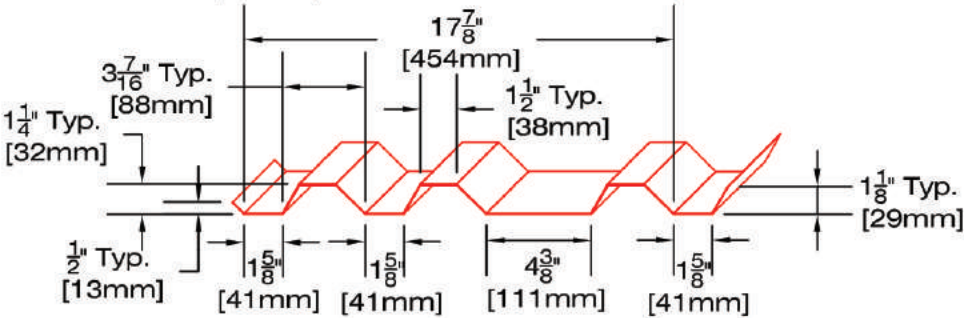
PR-172-COMB MODEL

3 ribs A 1 1/4" high
Covers 17 1/4"



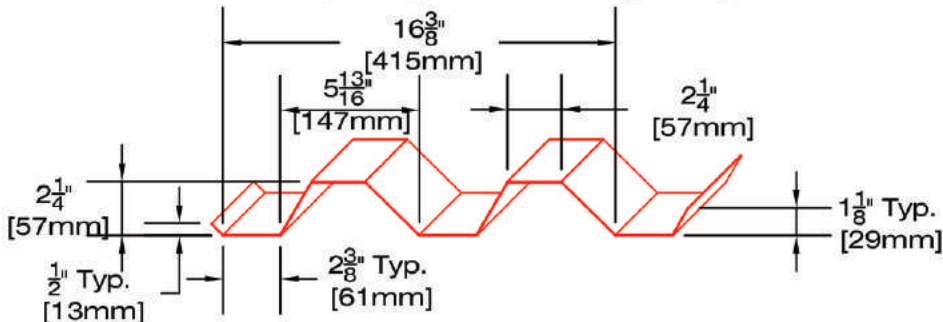
PR-173-COMB MODEL

3 ribs A 1 1/4" high
Covers 17 13/16"



PR-174-COMB MODEL

3 ribs A 1 1/4" high
Covers 17 7/8"



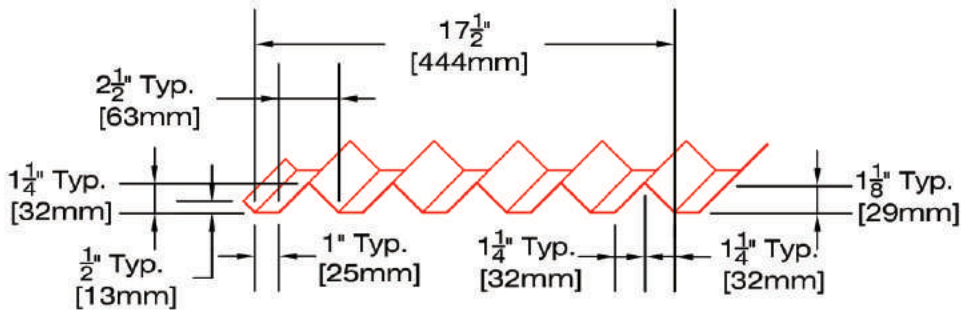
PR-175-COMB MODEL

2 ribs B 2 1/4" high
Covers 16 3/8"



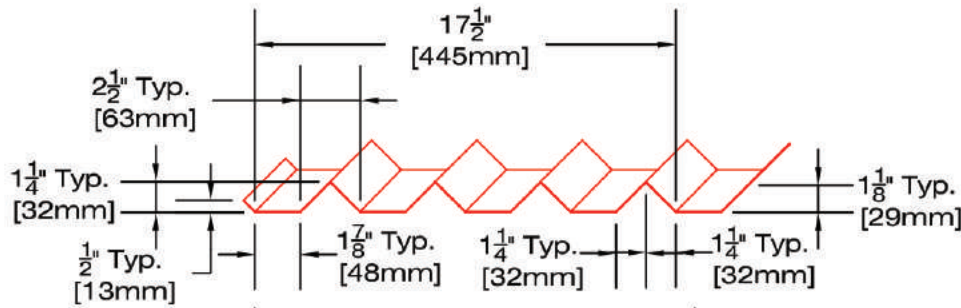
www.PanfabDesignUsa.com
1-844-433-9446

Project:		PR-100 PANFAB PROFILE
Title:		PR-170 MODEL RIBS WITH 2 ANGLES
Scale:	1:8	Page: 100173
Date:	JUNE 2017	



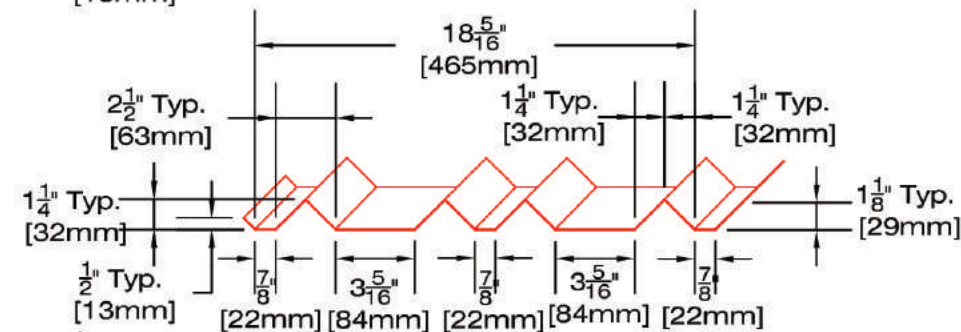
PR-181 MODEL

5 ribs A 1 1/4" high
Covers 17 1/2"



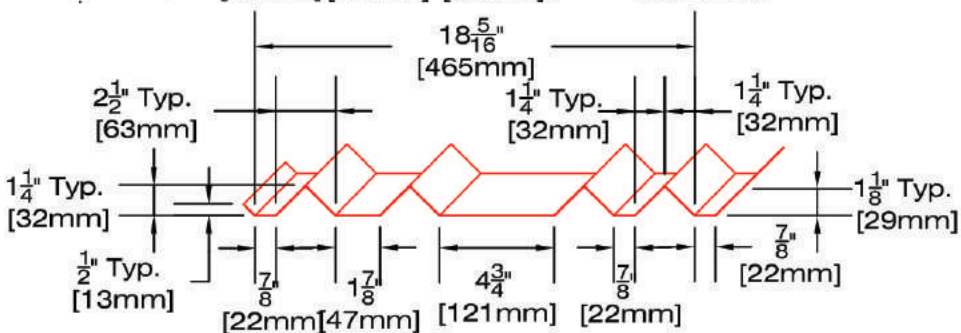
PR-182 MODEL

4 ribs A 1 1/4" high
Covers 17 1/2"



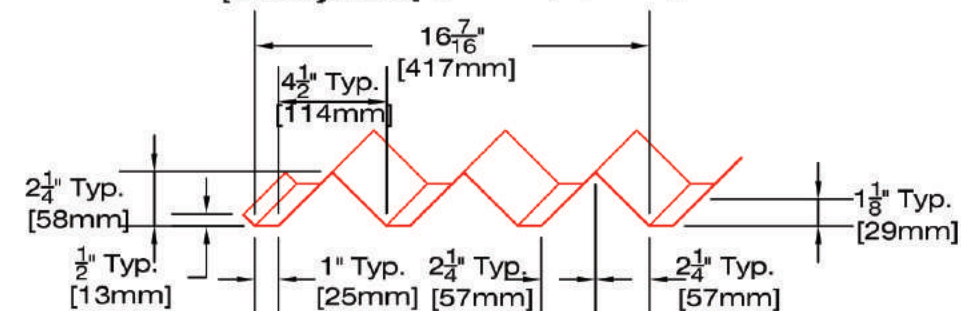
PR-183 MODEL

4 ribs A 1 1/4" high
Covers 18 5/16"



PR-184 MODEL

4 ribs A 1 1/4" high
Covers 18 5/16"



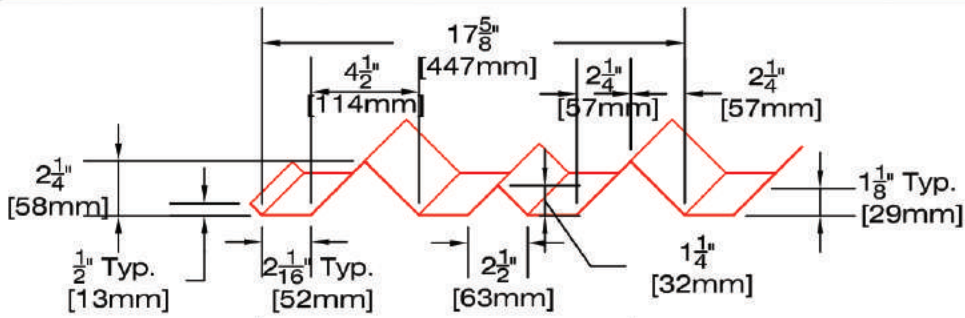
PR-185 MODEL

3 ribs B 2 1/4" high
Covers 16 7/16"



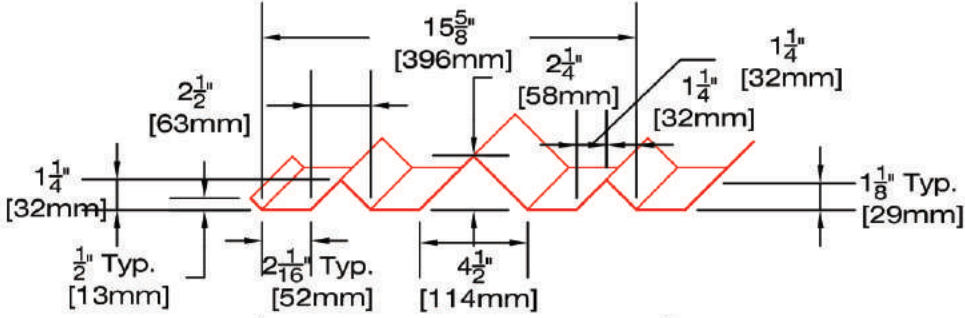
www.PanfabDesignUsa.com
1-844-433-9446

Project:		PR-100 PANFAB PROFILE
Title:		PR-180 MODEL TRIANGLE RIBS
Scale:	1:8	Page: 100180
Date:	JUNE 2017	



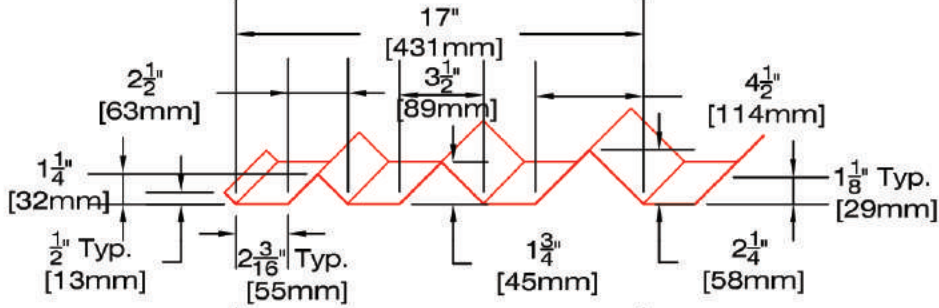
PR-186A MODEL

1 rib A 1 1/4" high
 2 ribs B 2 1/4" high
 Covers 17 5/8"



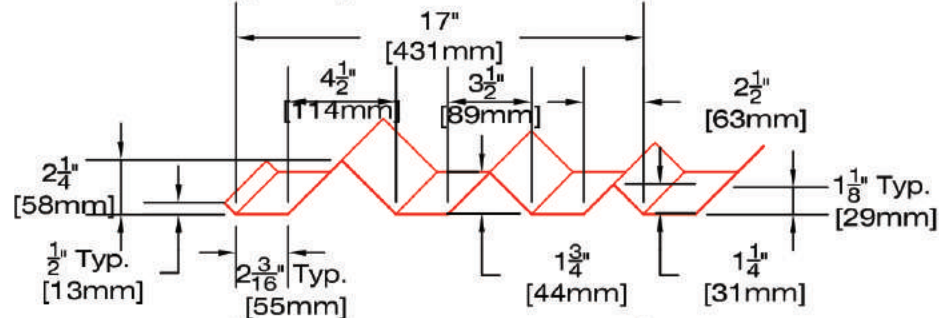
PR-186B MODEL

2 ribs A 1 1/4" high
 1 rib B 2 1/4" high
 Covers 15 5/8"



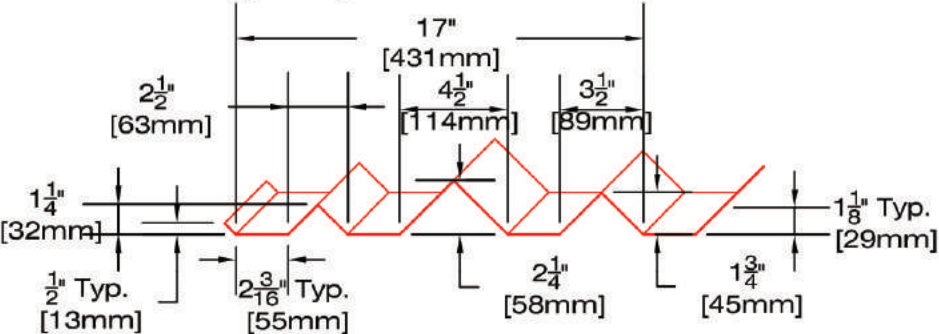
PR-187 MODEL

1 rib A 1 1/4" high
 1 rib B 2 1/4" high
 1 rib C 1 3/4" high
 Covers 17"



PR-188 MODEL

1 rib A 1 1/4" high
 1 rib B 2 1/4" high
 1 rib C 1 3/4" high
 Covers 17"



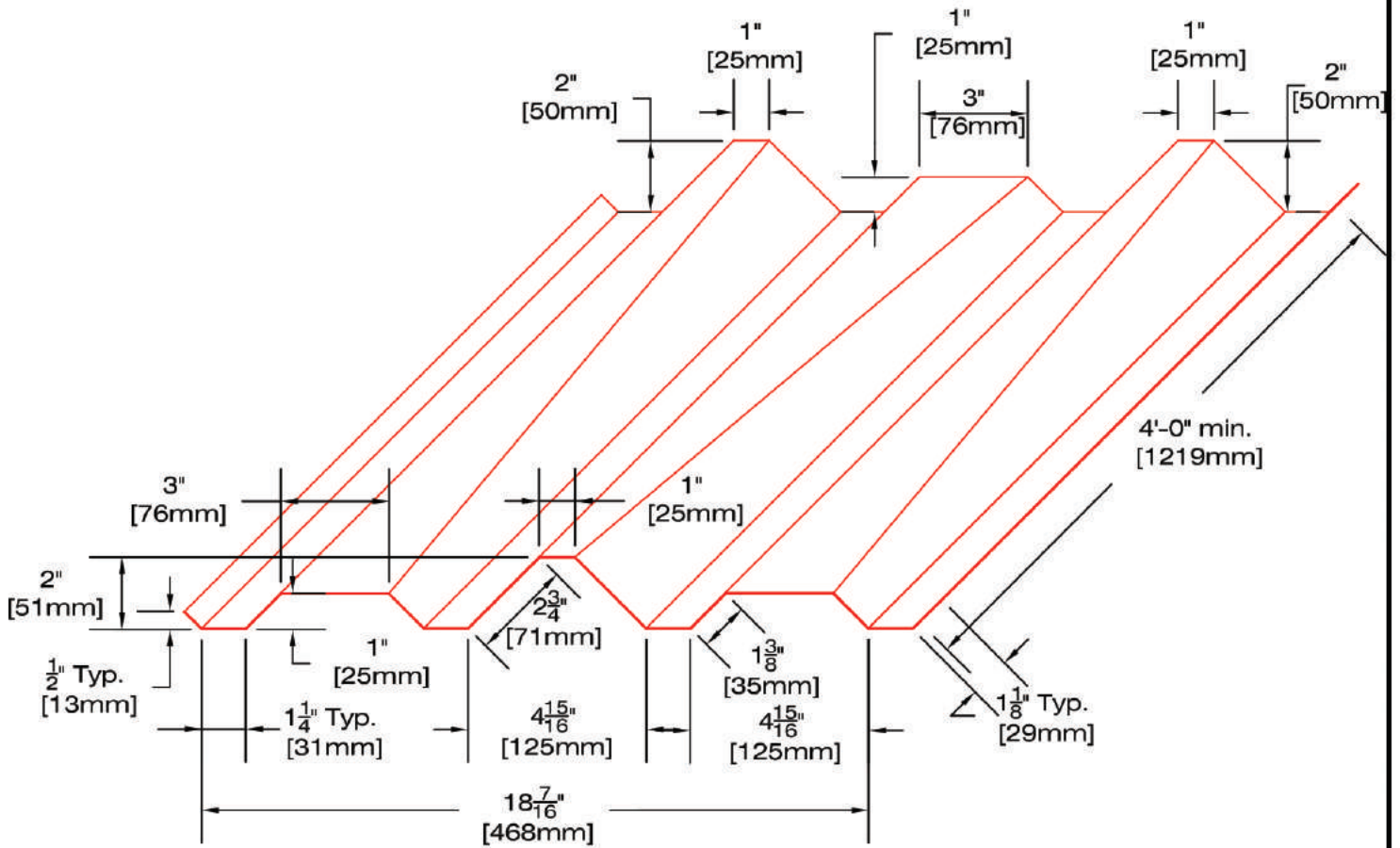
PR-189 MODEL

1 rib A 1 1/4" high
 1 rib B 2 1/4" high
 1 rib C 1 3/4" high
 Covers 17"



www.PanfabDesignUsa.com
 1-844-433-9446

Project:	PR-100 PANFAB PROFILE	
Title:	PR-180 MODEL TRIANGLE RIBS	
Scale:	1:8	Page:
Date:	JUNE 2017	100181



PR-191 MODEL

3 ribs G 1" @ 2" high
 Covers 18 7/16"

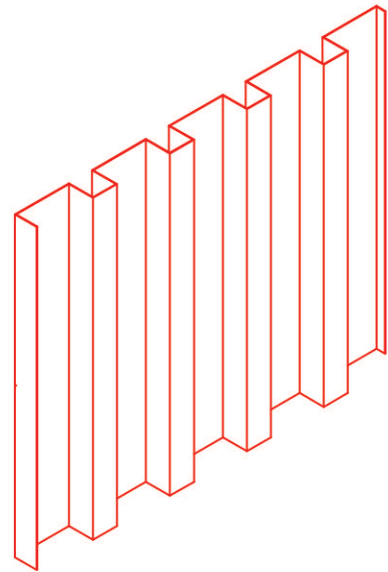
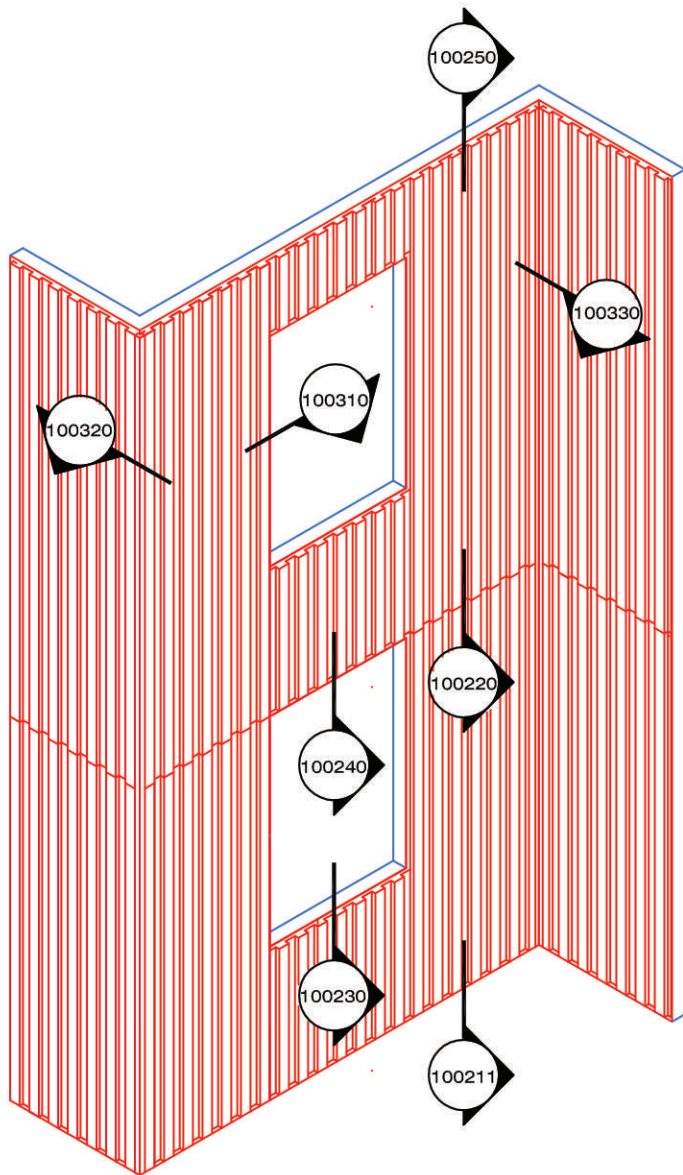
OR ACCORDING TO YOUR DESIGN...

With a limit of 24 5/8" deployed according to folding rib feasibility (width x height) to validate.



www.PanfabDesignUsa.com
 1-844-433-9446

Project:		PR-100 PANFAB PROFILE
Title:		PR-190 MODEL CUSTOM MADE SPECIAL RIBS
Scale:	1:5	Page: 100190
Date:	JUNE 2017	

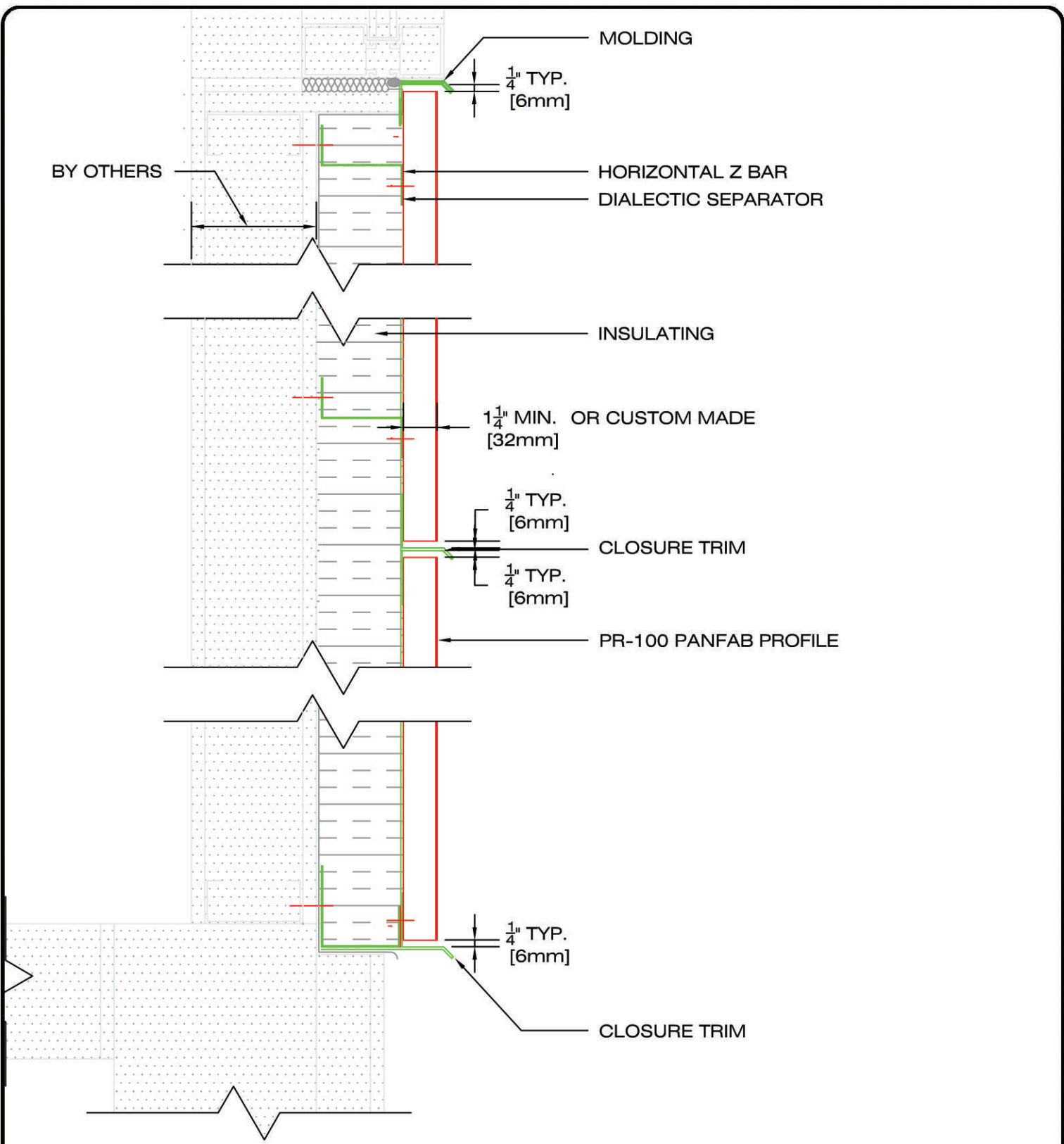


USE:	- Wall covering (vertical or horizontal installation)
DESCRIPTION:	- Custom ribbed profile - Custom width; length up to 26'-3" = 8.0 m (4'-0" min = 1.2m) - Visible face screw
FINISH OPTIONS:	- 0.8mm aluminum material, alloy 5754H42 and pre-painted D-MAX PVDF type Kynar 500 70% finishes such as Duranar XL with a choice of 7 colours available in stock: White RAL9016, Jupiter RAL9006, Neptune, Alpha Centauri, Charcoal, Rigel-2 and Black RAL9005. - Special series offered such as: EuraBuild, EuraDesign, EuraMica, AluNatur (for 0.8mm thickness material available on special order; minimum of 11 000 sq. ft. required)



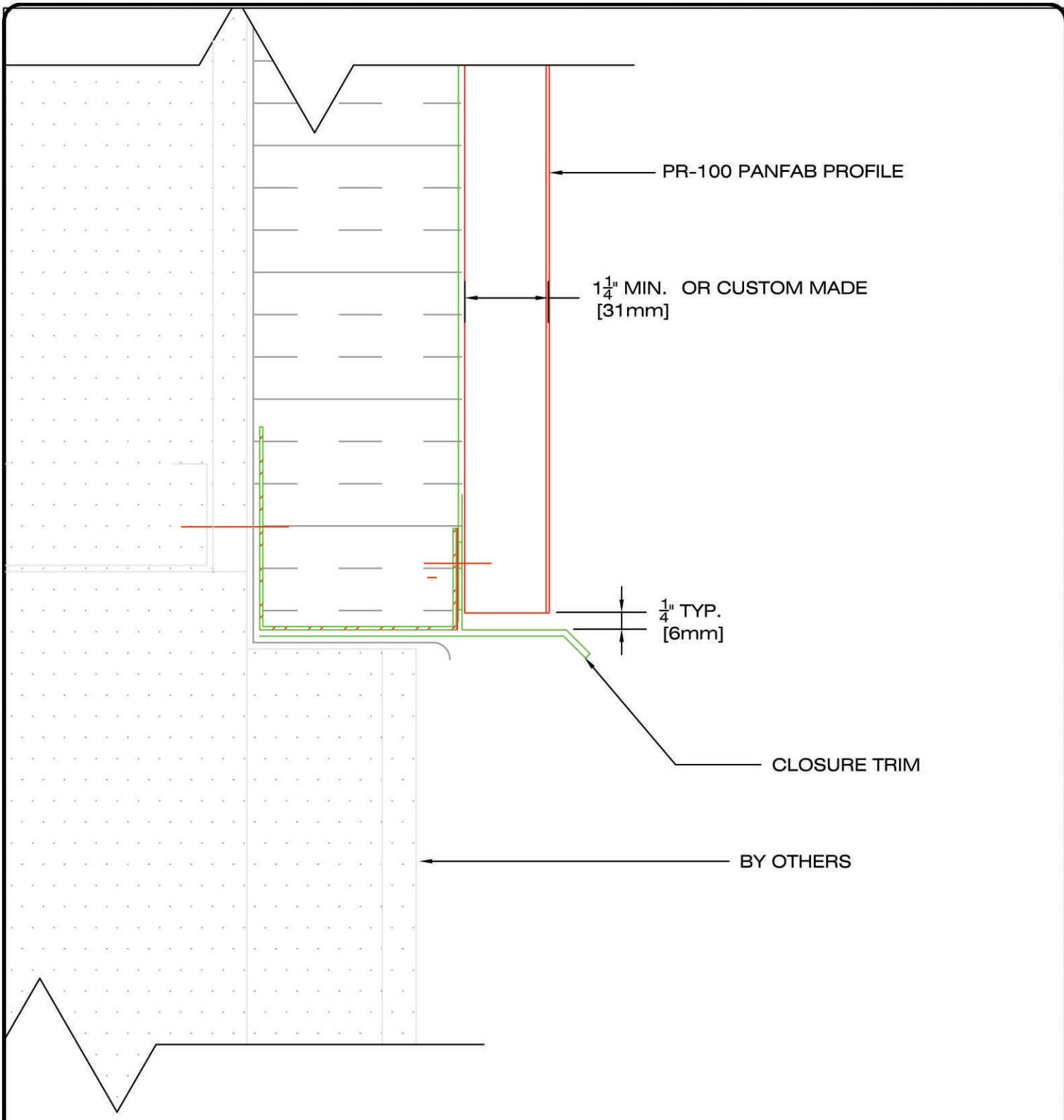
www.PanfabDesignUsa.com
1-844-433-9446

Project:		PR-100 PANFAB PROFILE
Title:		ISOMETRIC VIEW
Scale:	1:60 / 1:10	Page: 100200
Date:	JUNE 2017	



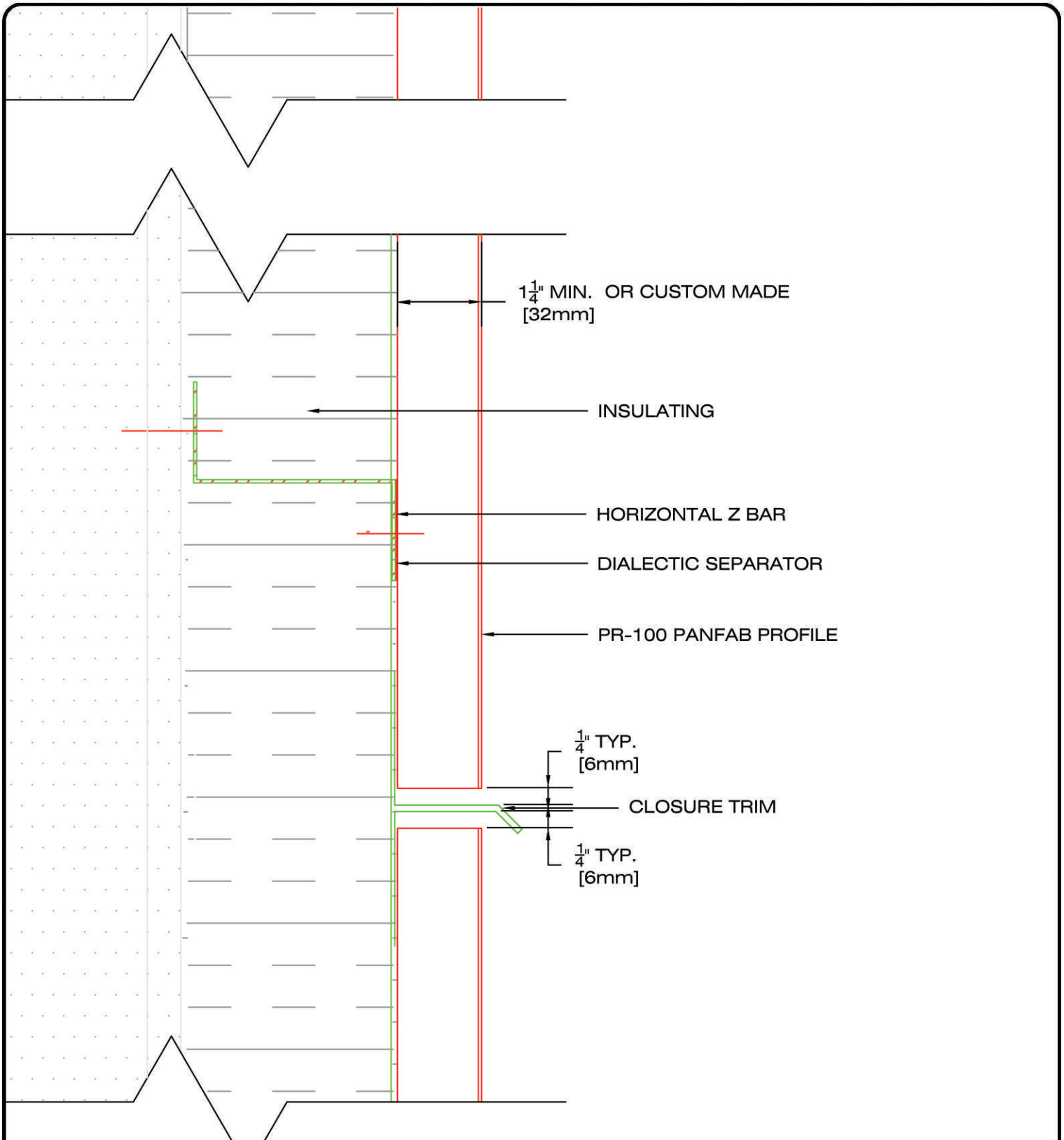
www.PanfabDesignUsa.com
1-844-433-9446

Project:		PR-100 PANFAB PROFILE
Title:		CUT VIEW
Scale:	1:5	Page: 100210
Date:	JUNE 2017	



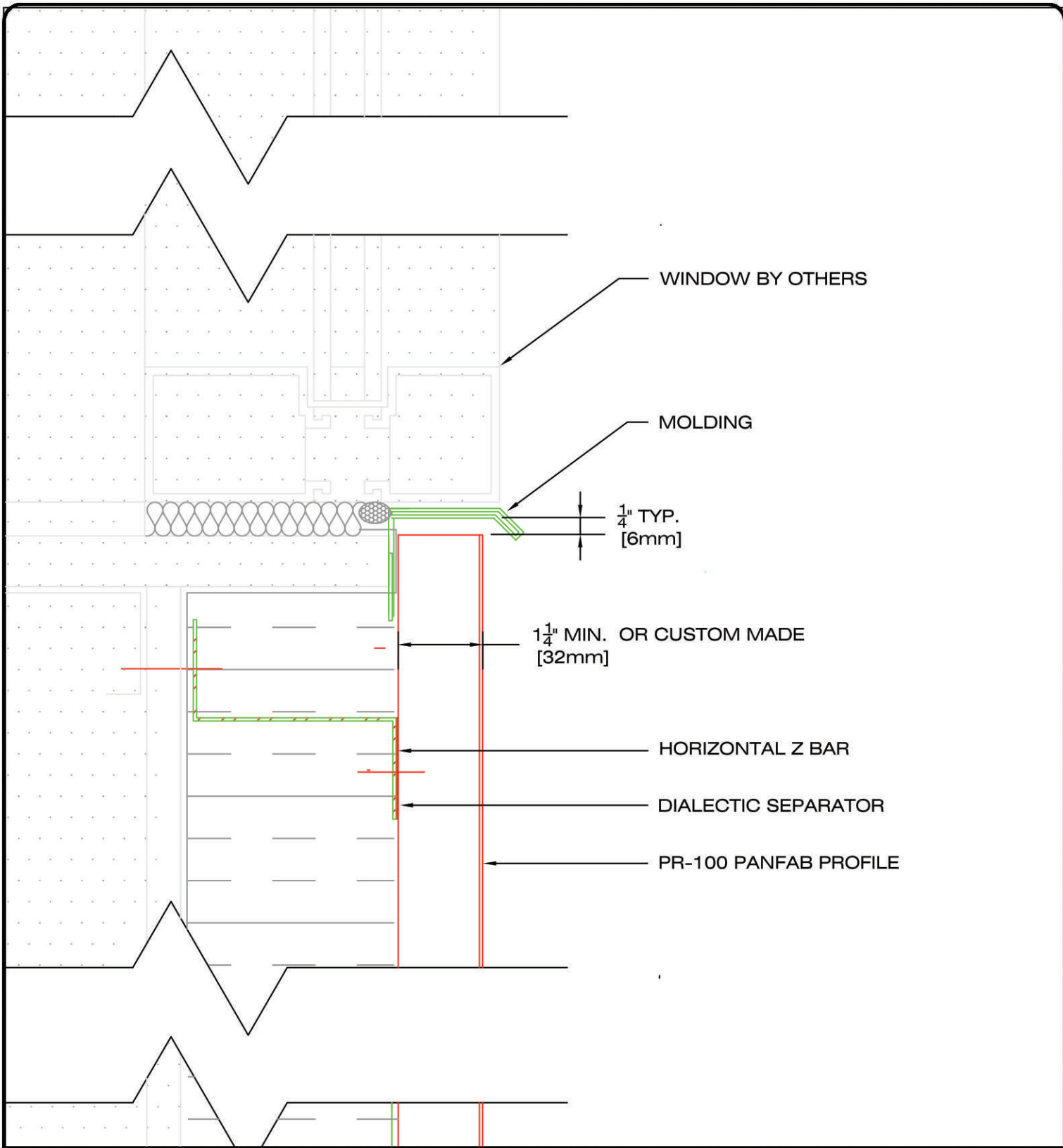
www.PanfabDesignUsa.com
1-844-433-9446

Project:		PR-100 PANFAB PROFILE
Title:		CUT VIEW
Scale:	1:2	Page: 100211
Date:	JUNE 2017	



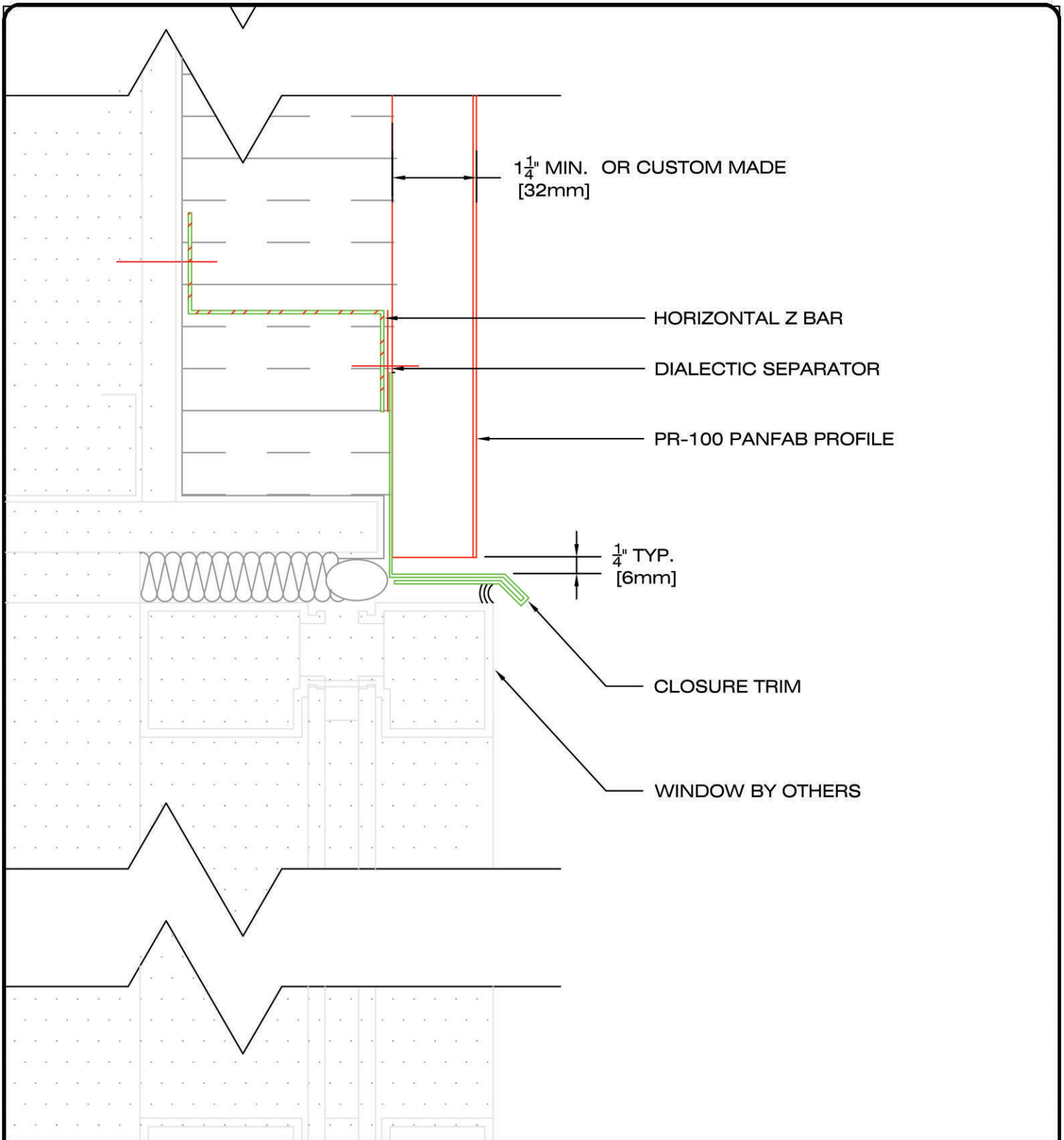
www.PanfabDesignUsa.com
1-844-433-9446

Project:		PR-100 PANFAB PROFILE
Title:		CUT VIEW
Scale:	1:2	Page: 100220
Date:	JUNE 2017	



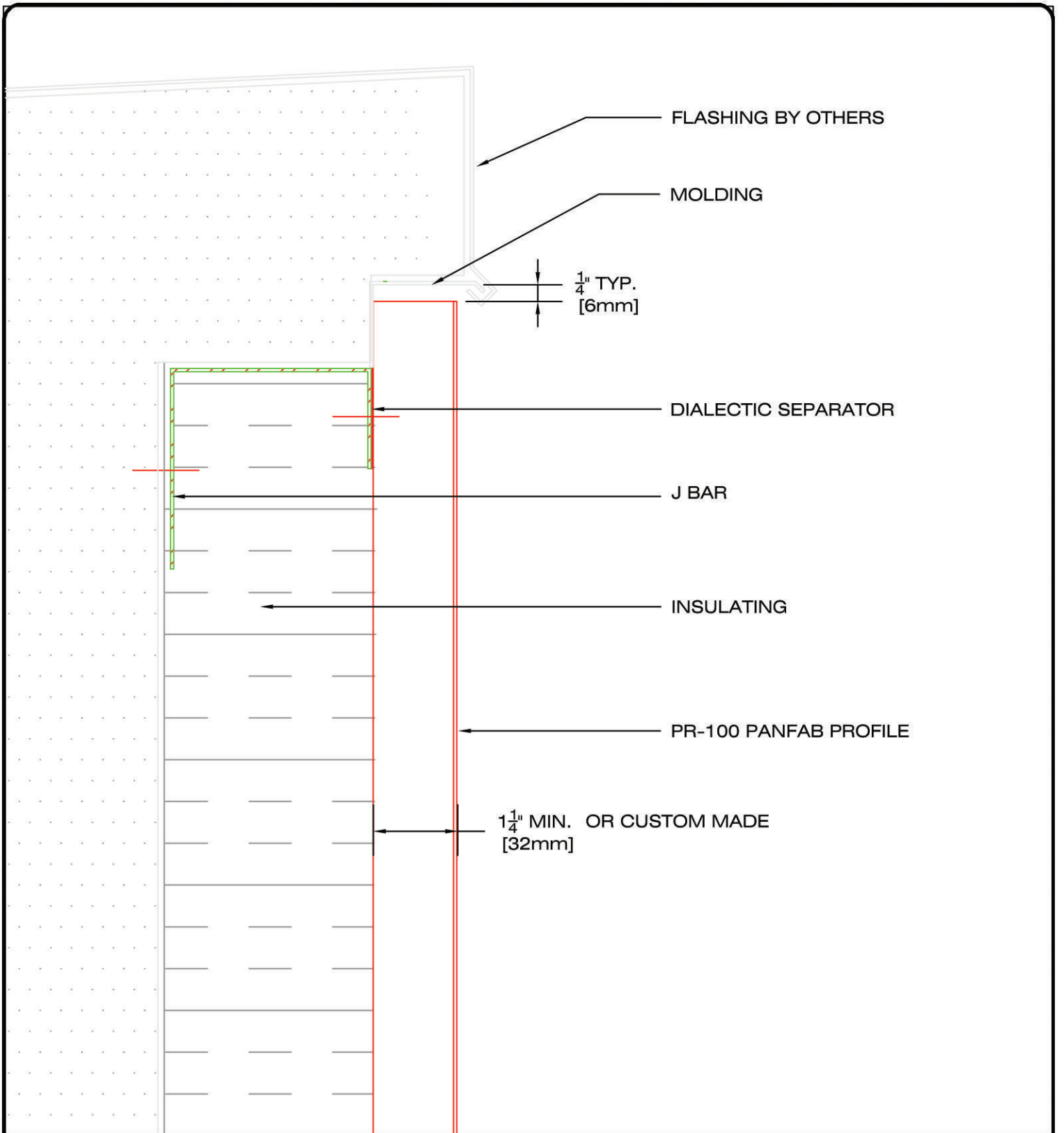
www.PanfabDesignUsa.com
1-844-433-9446

Project:		PR-100 PANFAB PROFILE
Title:		CUT VIEW
Scale:	1:2	Page: 100230
Date:	JUNE 2017	



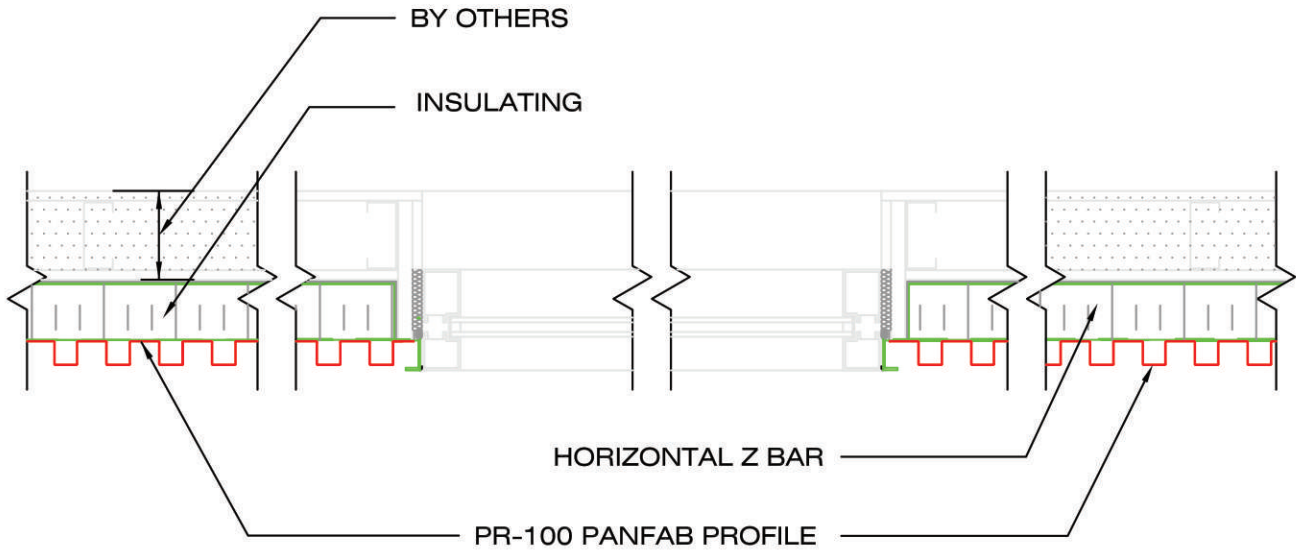
www.PanfabDesignUsa.com
1-844-433-9446

Project:		PR-100 PANFAB PROFILE
Title:		CUT VIEW
Scale:	1:2	Page: 100240
Date:	JUNE 2017	



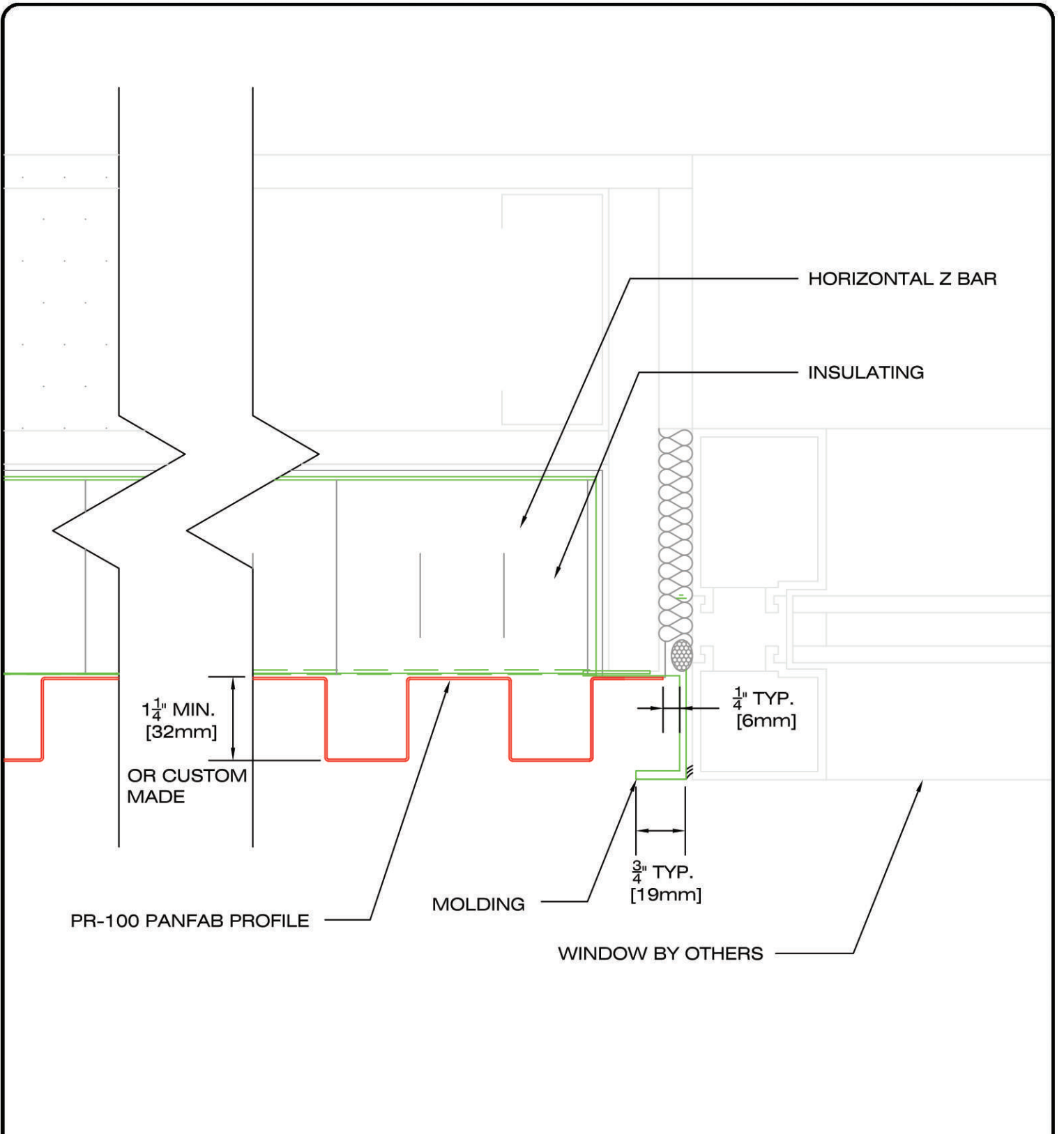
www.PanfabDesignUsa.com
1-844-433-9446

Project:		PR-100 PANFAB PROFILE
Title:		CUT VIEW
Scale:	1:2	Page: 100250
Date:	JUNE 2017	



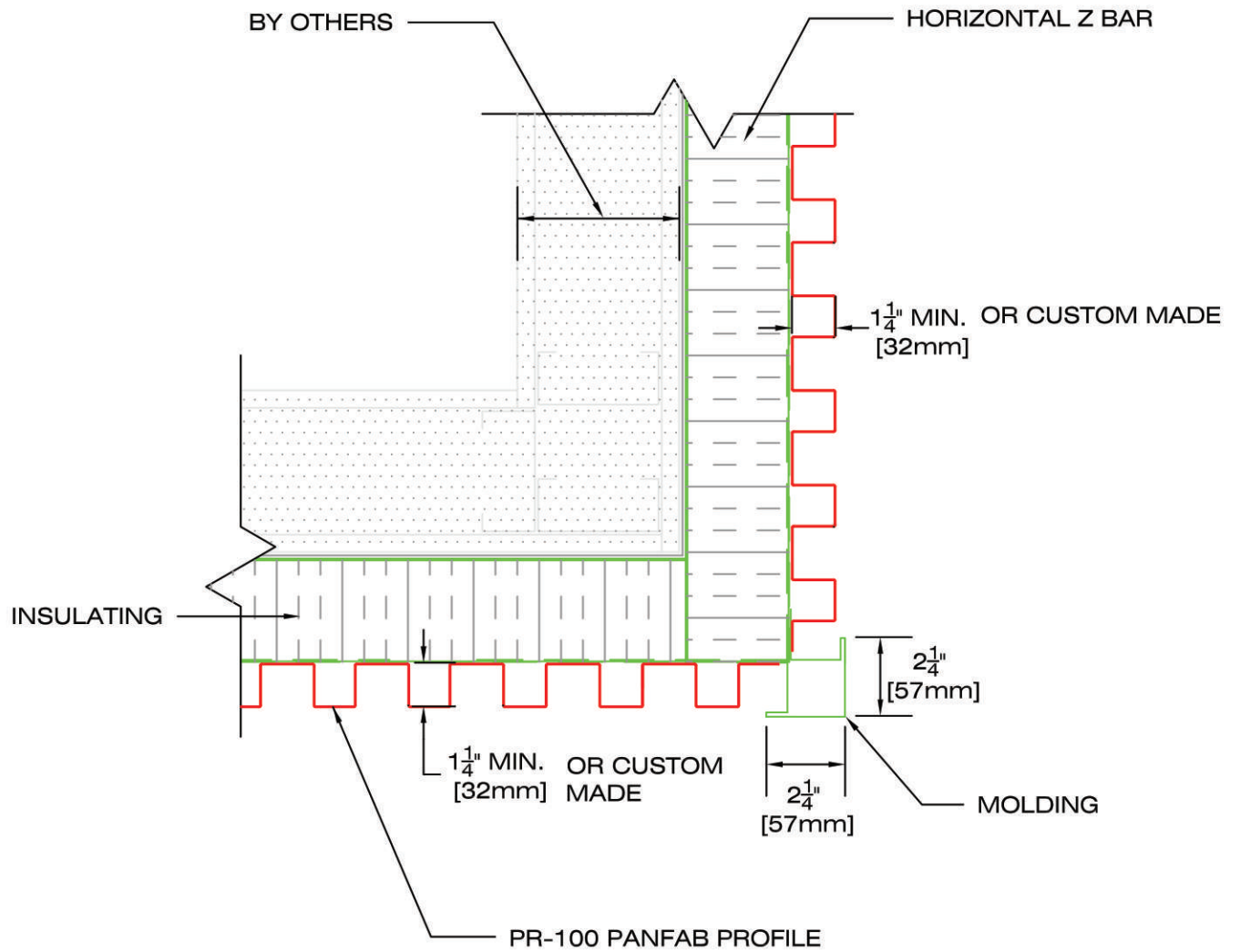
www.PanfabDesignUsa.com
1-844-433-9446

Project:		PR-100 PANFAB PROFILE
Title:		PLAN VIEW
Scale:	1:10	Page: 100300
Date:	JUNE 2017	



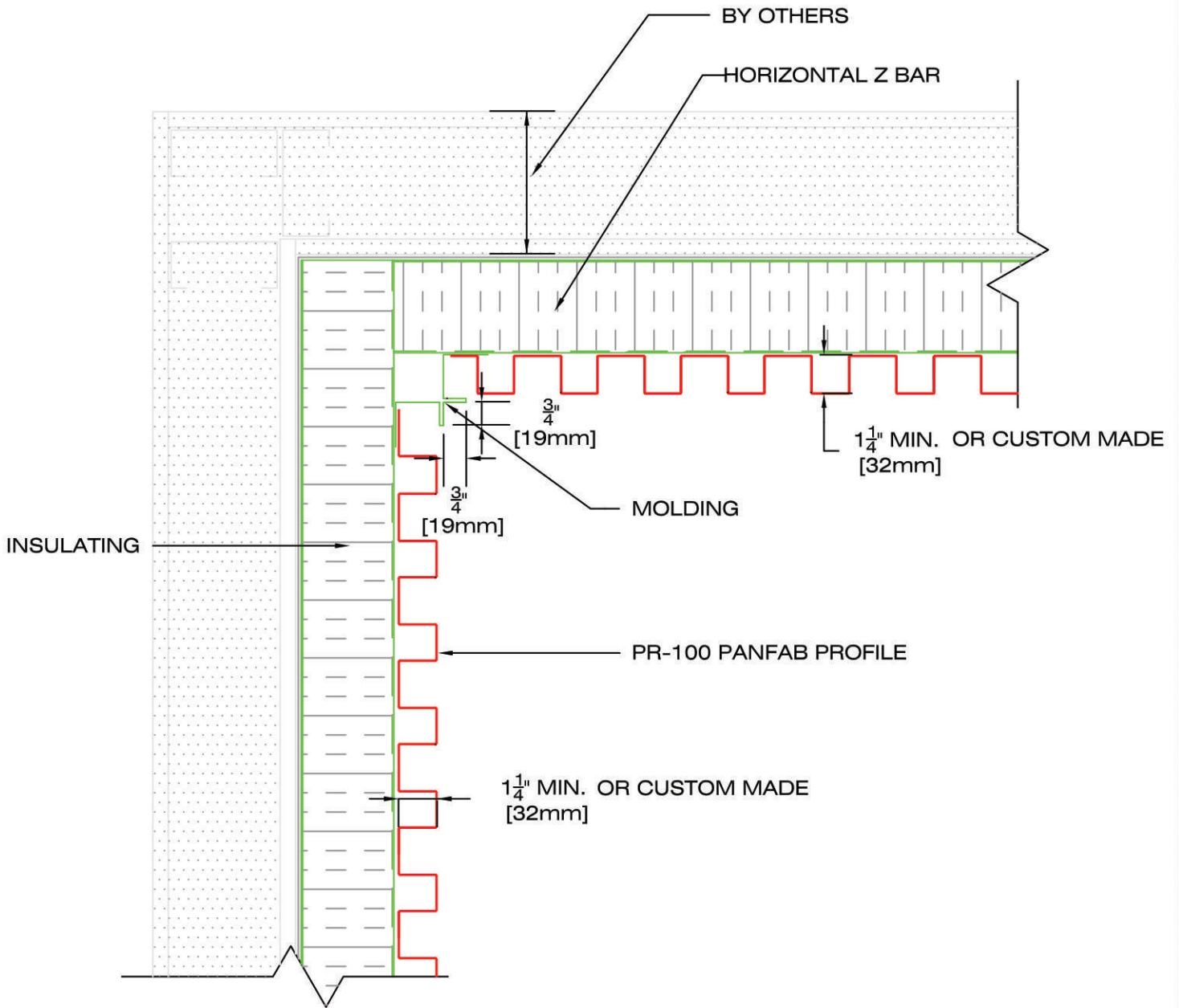
www.PanfabDesignUsa.com
1-844-433-9446

Project:		PR-100 PANFAB PROFILE
Title:		PLAN VIEW
Scale:	1:2	Page: 100310
Date:	JUNE 2017	



www.PanfabDesignUsa.com
1-844-433-9446

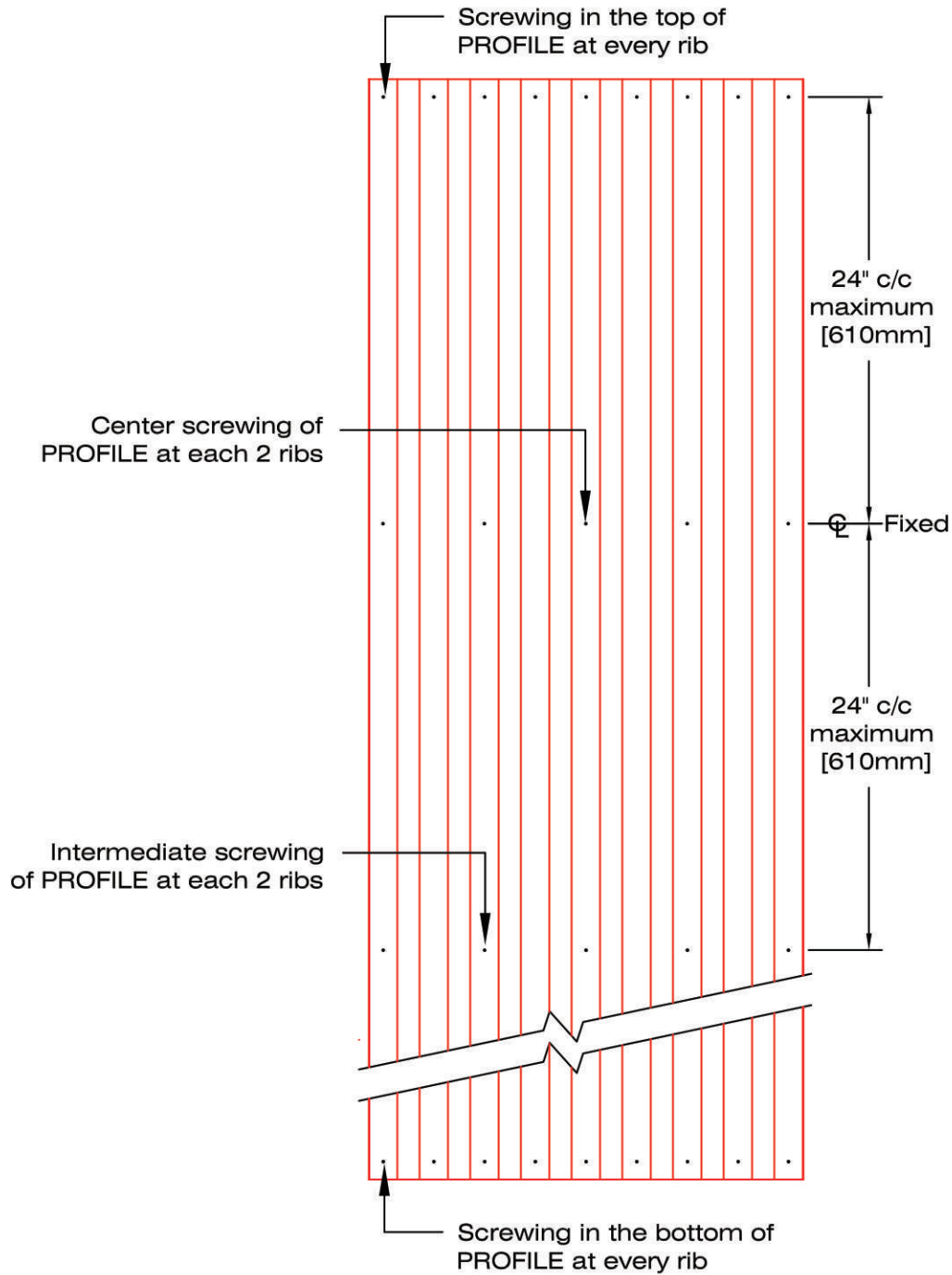
Project:		PR-100 PANFAB PROFILE
Title:		PLAN VIEW
Scale:	1:5	Page: 100320
Date:	JUNE 2017	



**PANFAB
DESIGN USA**

www.PanfabDesignUsa.com
1-844-433-9446

Project:		PR-100 PANFAB PROFILE
Title:		PLAN VIEW
Scale:	1:5	Page: 100330
Date:	JUNE 2017	

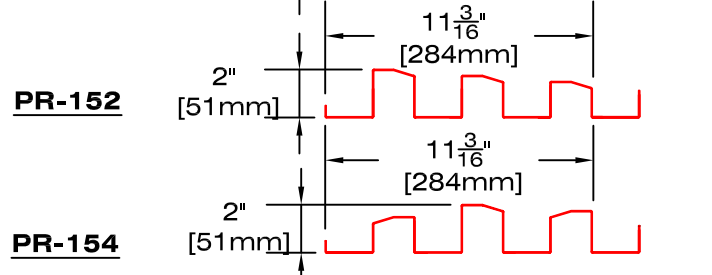
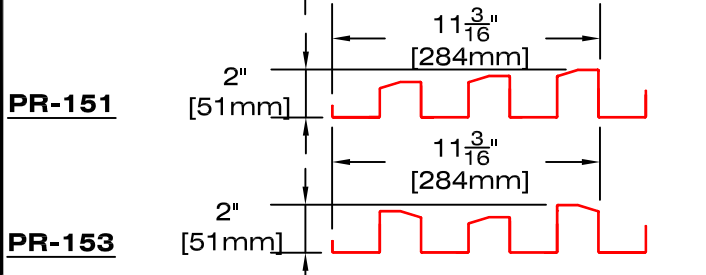
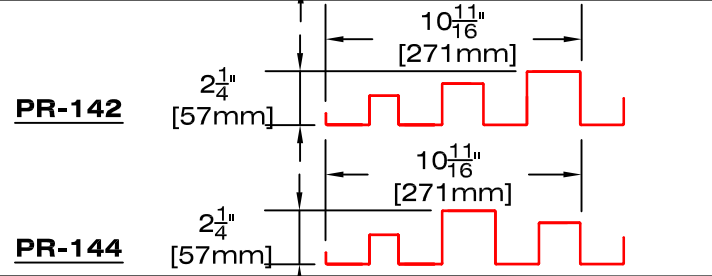
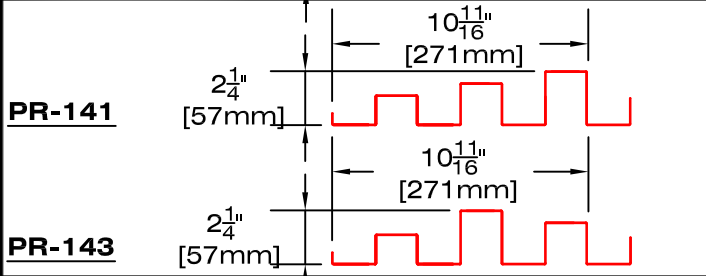
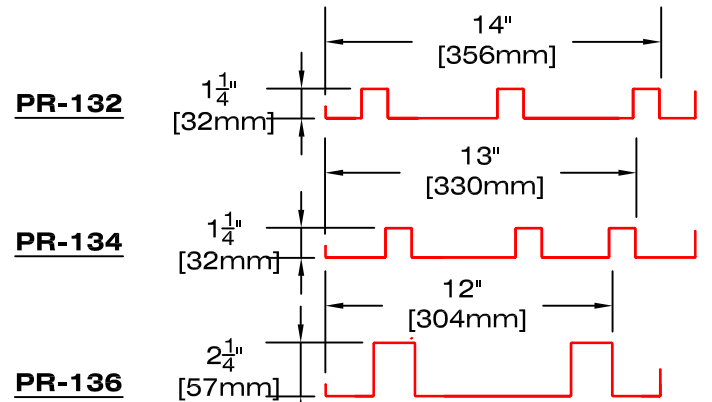
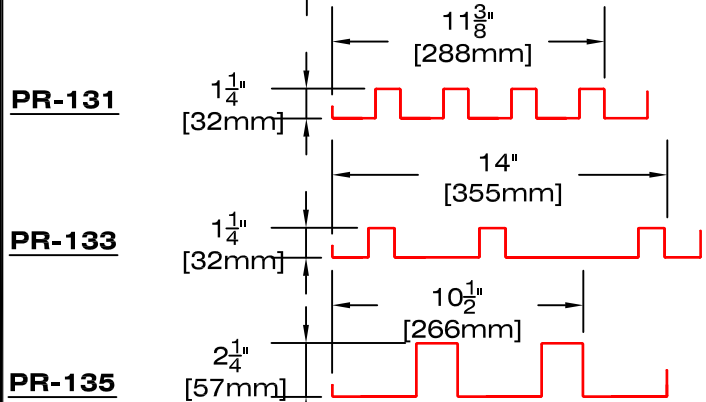
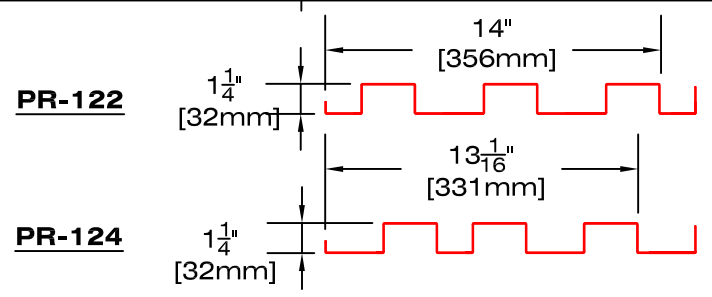
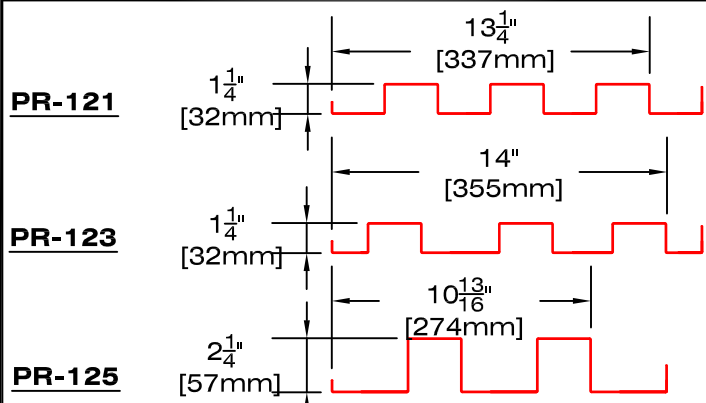
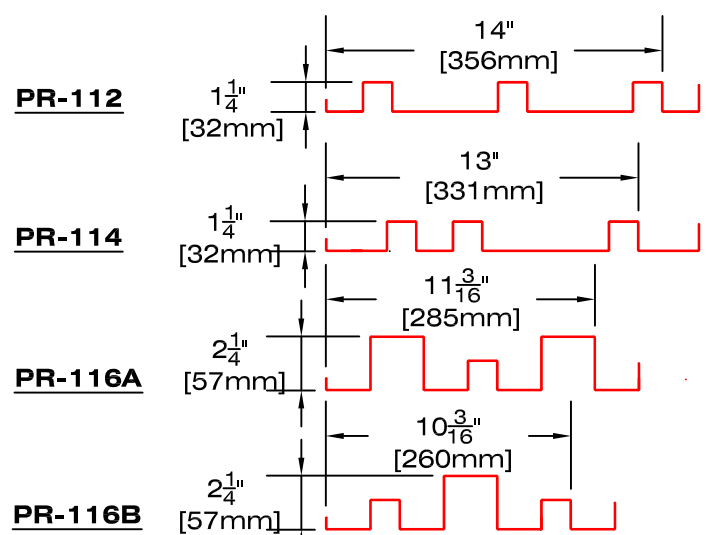
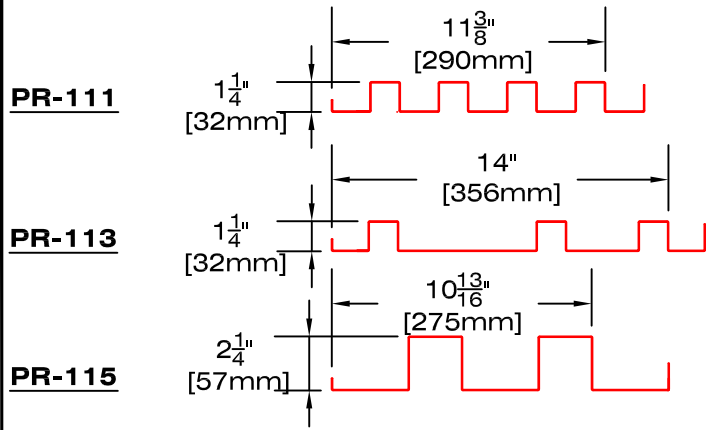


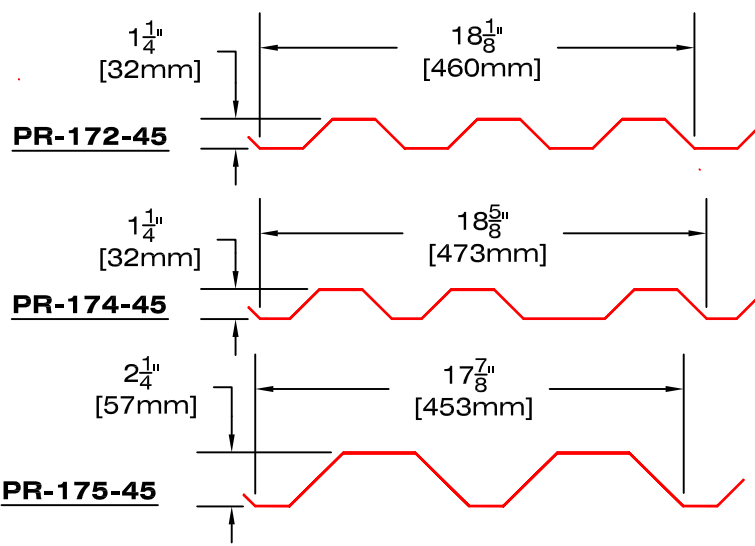
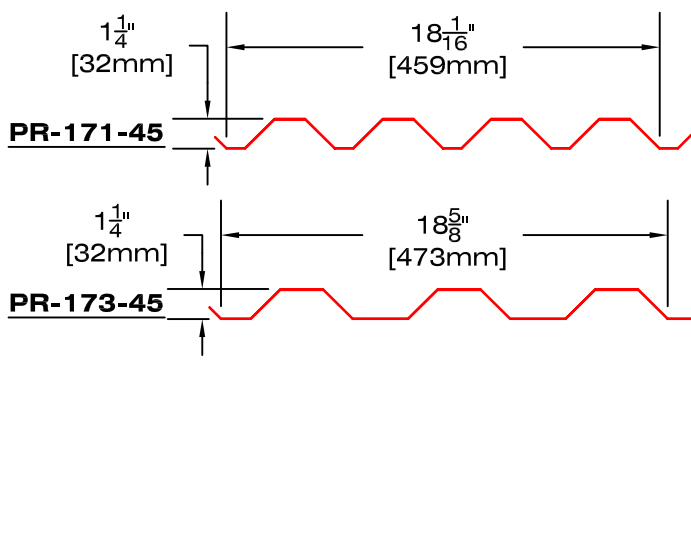
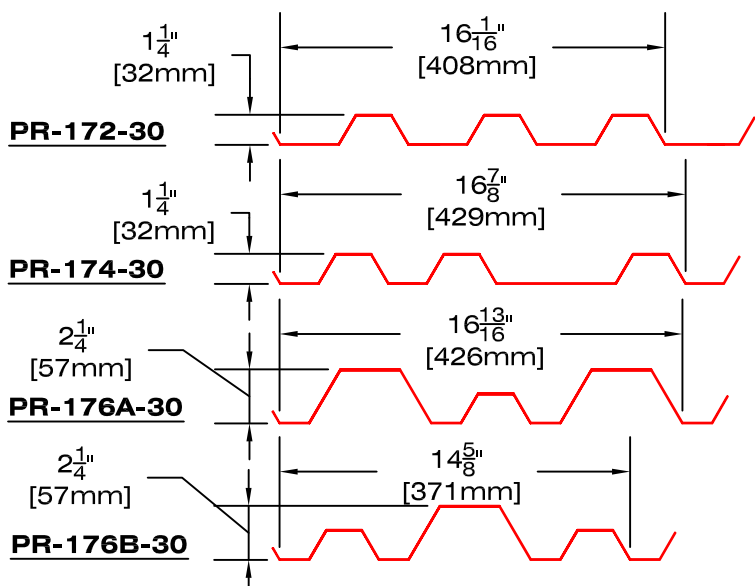
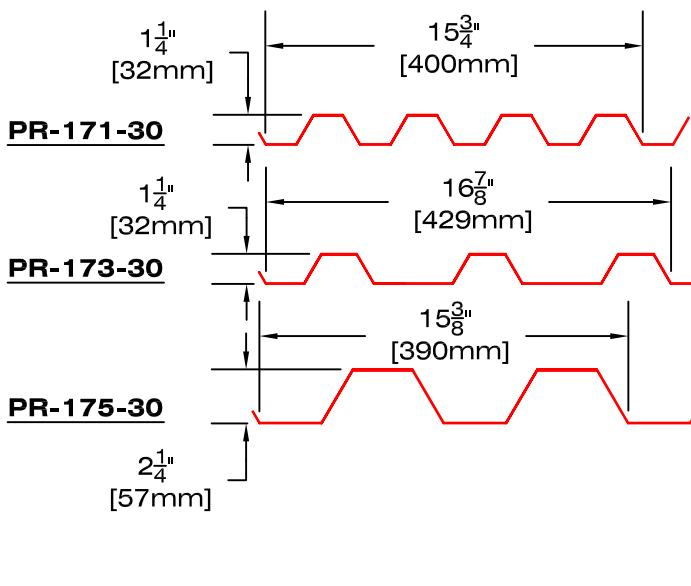
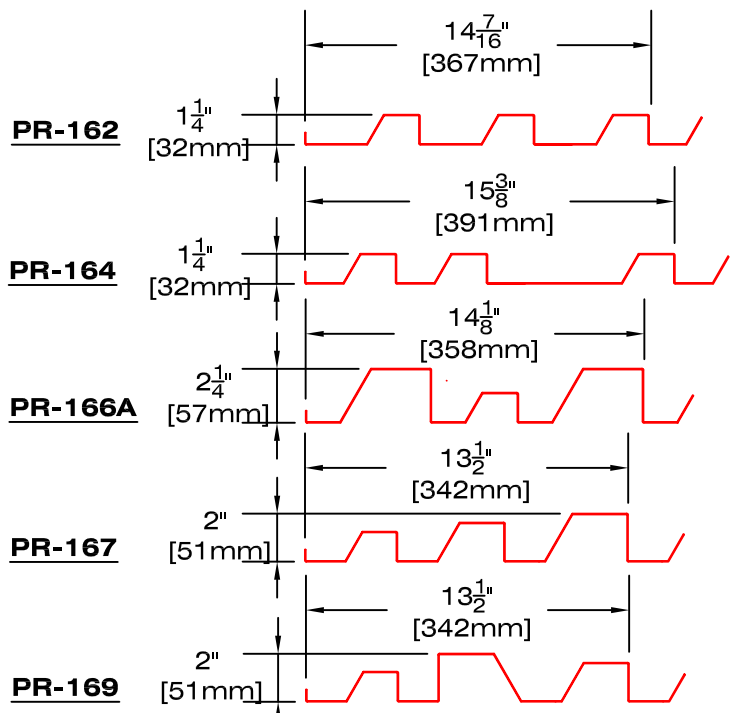
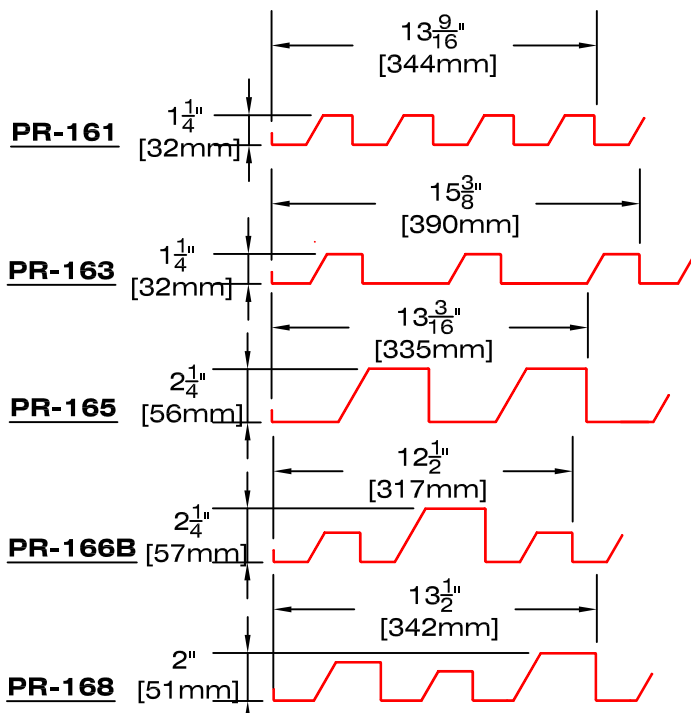
PR-111 MODEL

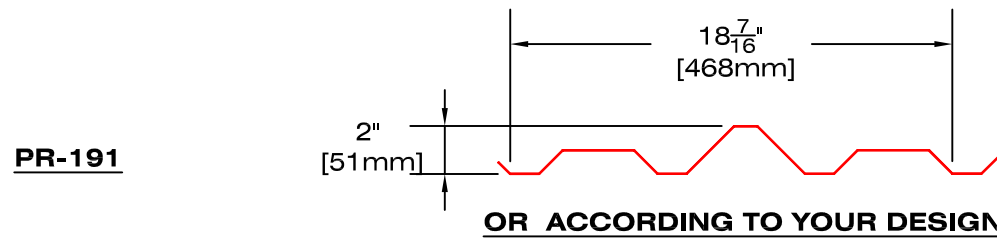
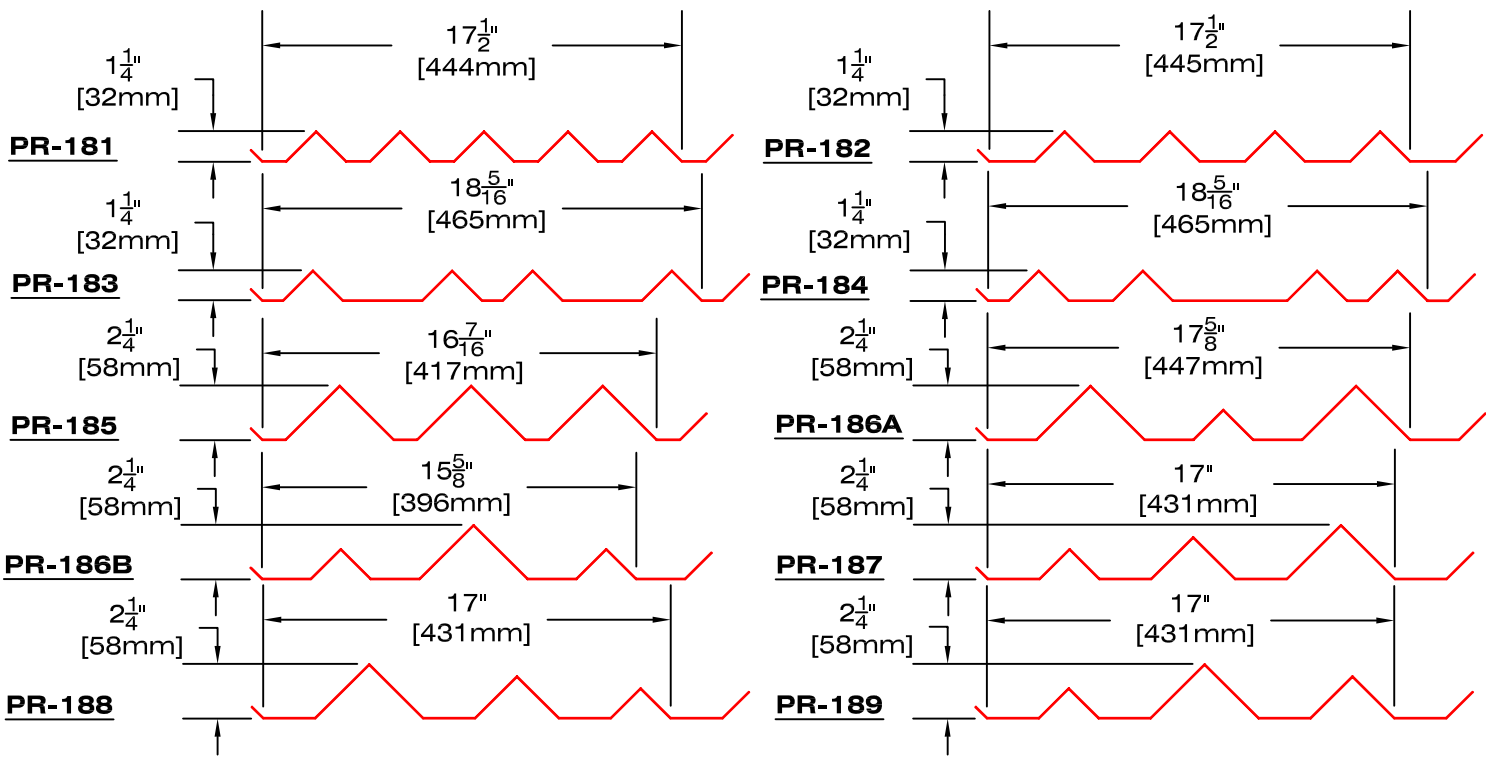
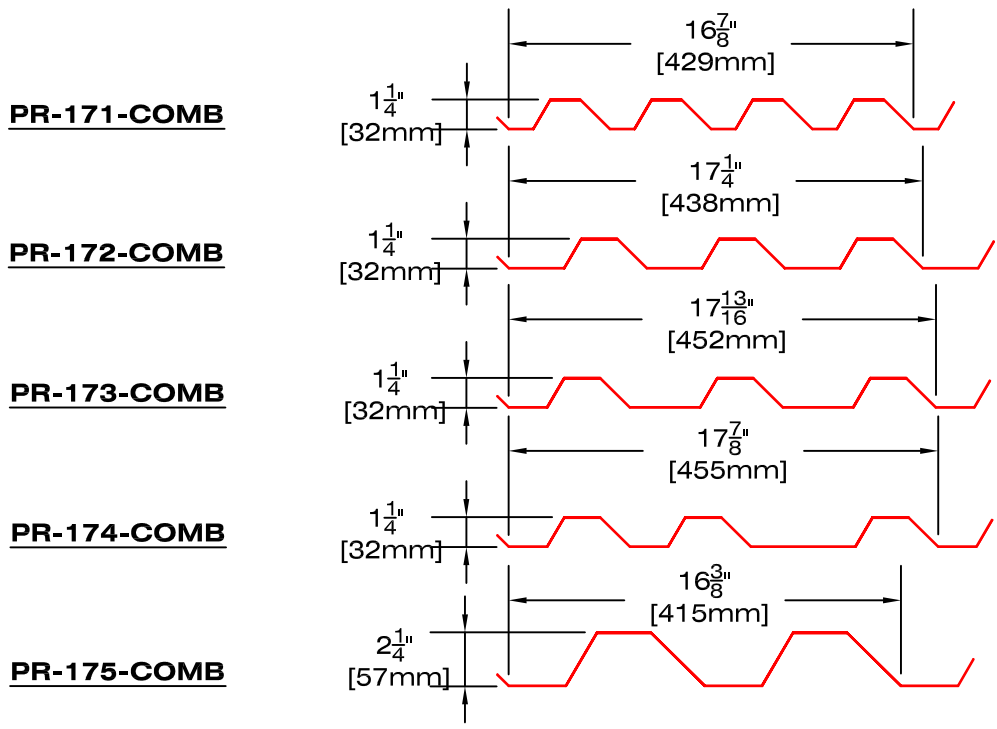


www.PanfabDesignUsa.com
1-844-433-9446

Project:		PR-100 PANFAB PROFILE
Title:		SCREWING INSTALLATION
Scale:	1:10	Page: 100400
Date:	JUNE 2017	







With a limit of $24\frac{5}{8}"$ deployed according to folding rib feasibility (width x height) to validate.